



Total Solution Provider in Saw Device

SF-071802-C21

Band 28, RF-Tx Balanced Block A SAW Filter
Revision0: April 2014

MSD/MSL 3



- Electrical Characteristics
 - Package Dimensions
 - Testing Environment
 - Frequency Characteristics
-

SAWNICS Inc.

460 Cheonheung-ri, Seonggeo-eup, Cheonan-si, Chungcheongnam-do, 330-836 / Korea.
Tel: +82 41 550 9372 / Fax: +82 41 550 9399 / www.sawnics.com

□ Electrical Characteristics

Maximum Ratings

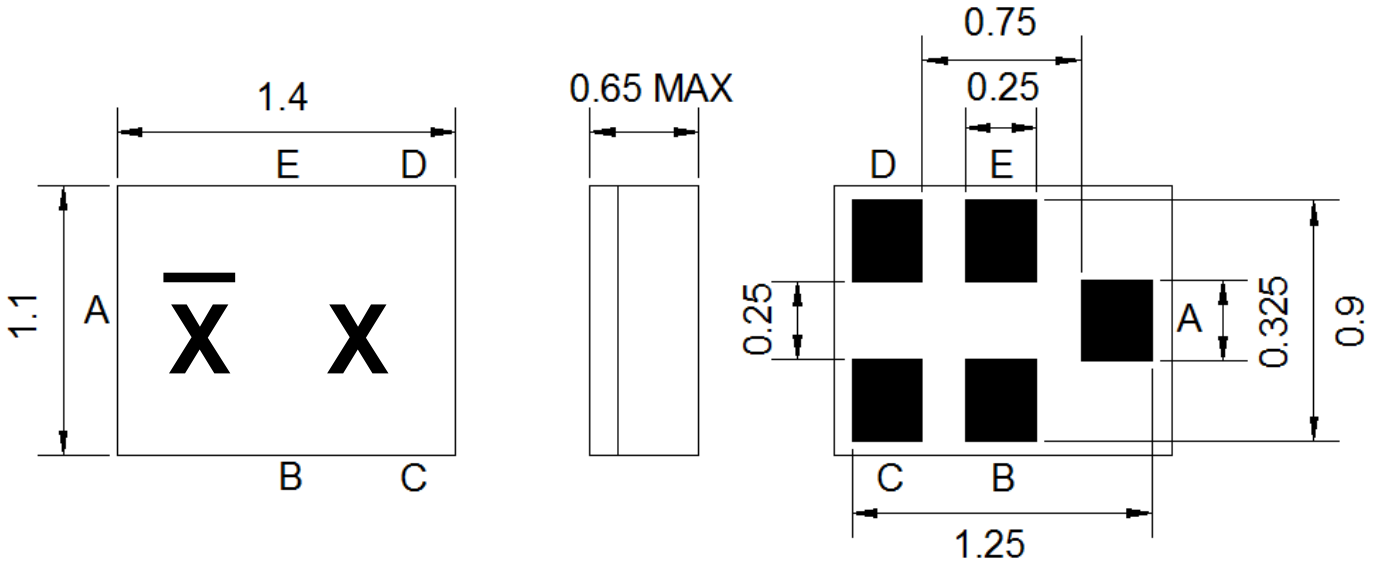
Parameters Description	Unit	Minimum	Typical	Maximum
Operating Temperature Range	°C	-30	-	+85
Storage Temperature Range	°C	-40	-	+85
Maximum DC Voltage	V	-	-	0
Maximum Input Power	dBm	-	-	10
Source Impedance (unbalanced) ⁽¹⁾	Ω	-	50	-
Load Impedance (balanced) ⁽¹⁾	Ω	-	100	-
Package type & size	C21			
Length x Width	mm ²	-	1.4 x 1.1	-
Height	mm	-	-	0.65

Electrical Specification

Parameters Description	Unit	Minimum	Typical	Maximum
Center Frequency (Fo)	MHz	-	718.0	-
Insertion Loss within 703.0 ~ 733.0 MHz	dB	-	2.7	4.0
Amplitude Ripple within 703.0 ~ 733.0 MHz	dB _{p-p}	-	1.3	2.2
Attenuation:				
758.0 ~ 788.0 MHz	dB	35	40	-
1406.0 ~ 1496.0 MHz	dB	45	58	-
VSWR within 703.0 ~ 733.0 MHz	-	-	2.2	2.9

Notes : (1) With Matching Network .

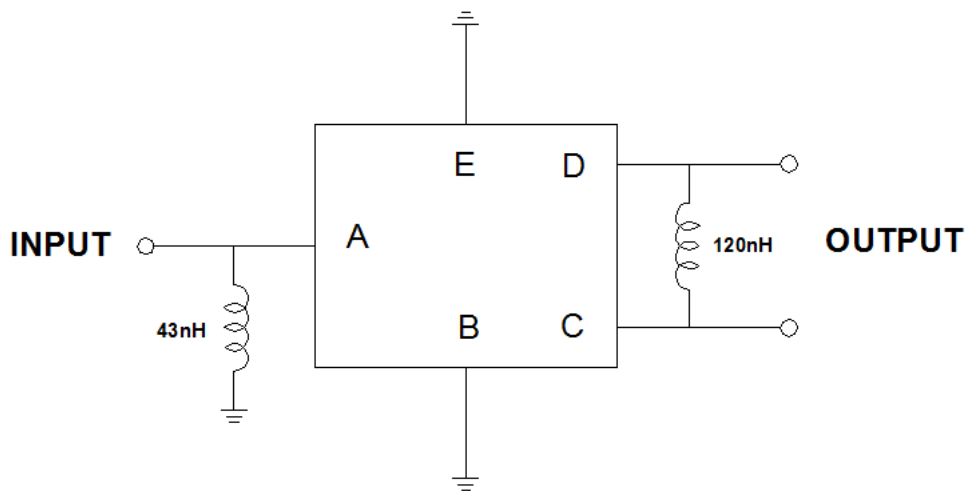
Package Dimensions



Marking Descriptions	
\bar{X}	Series Number
X	Date Code(Year+Month)

Pin Description	
B, E	Ground
A	Input
C, D	Balanced Output

Testing Environment

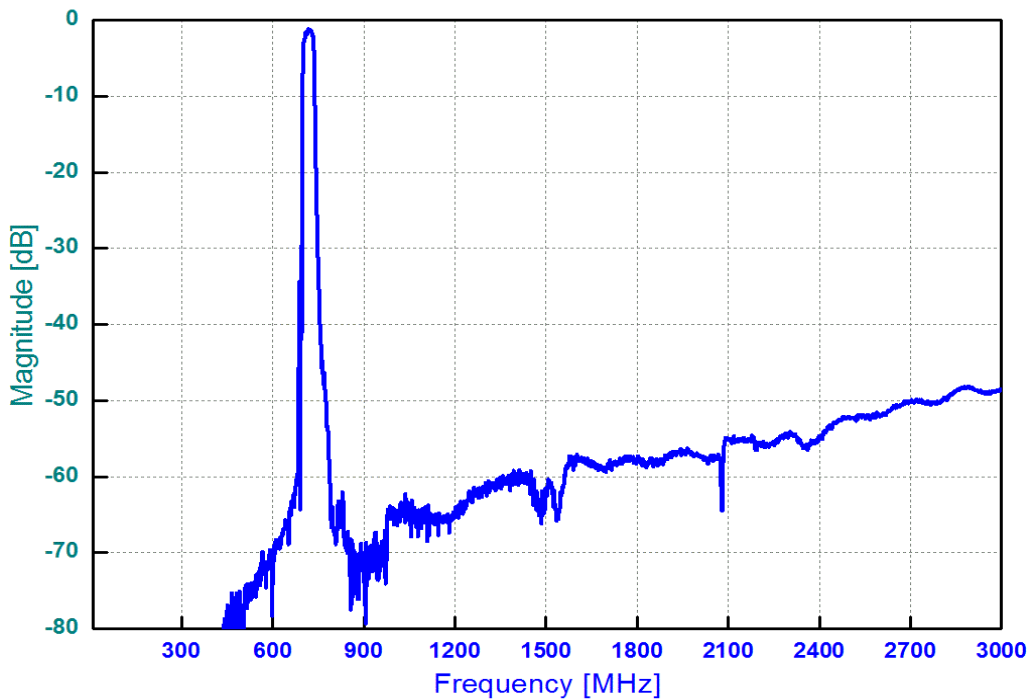
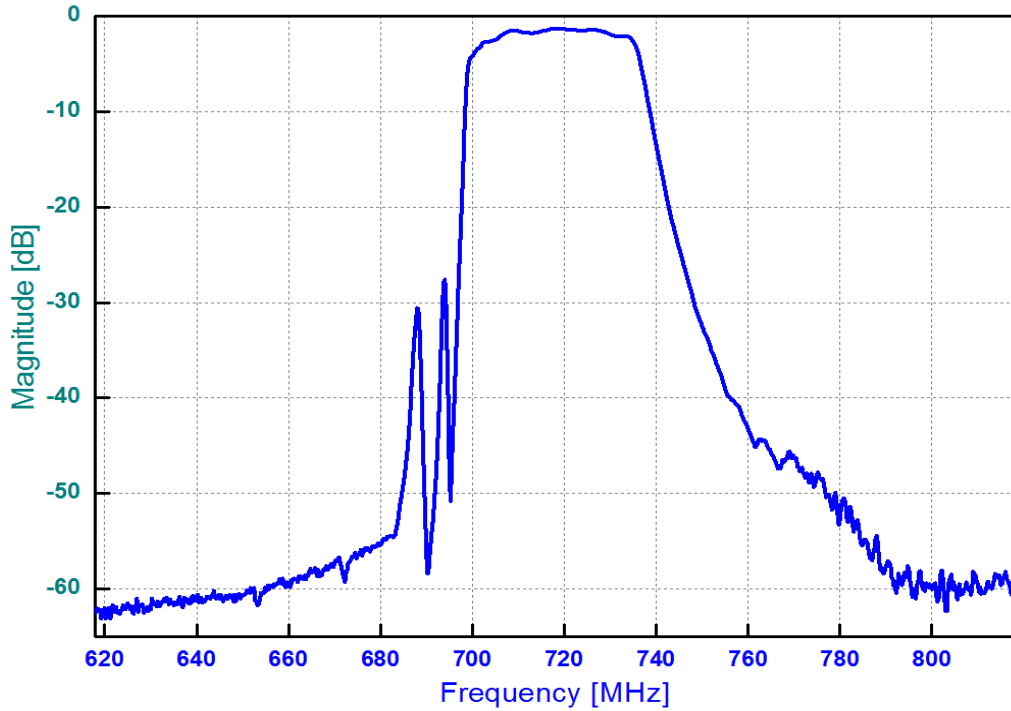


Source Impedance: 50 Ω

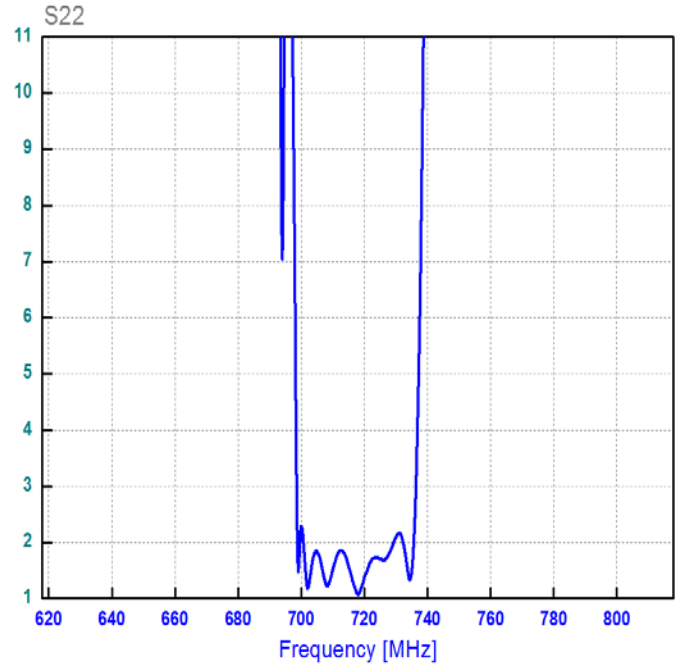
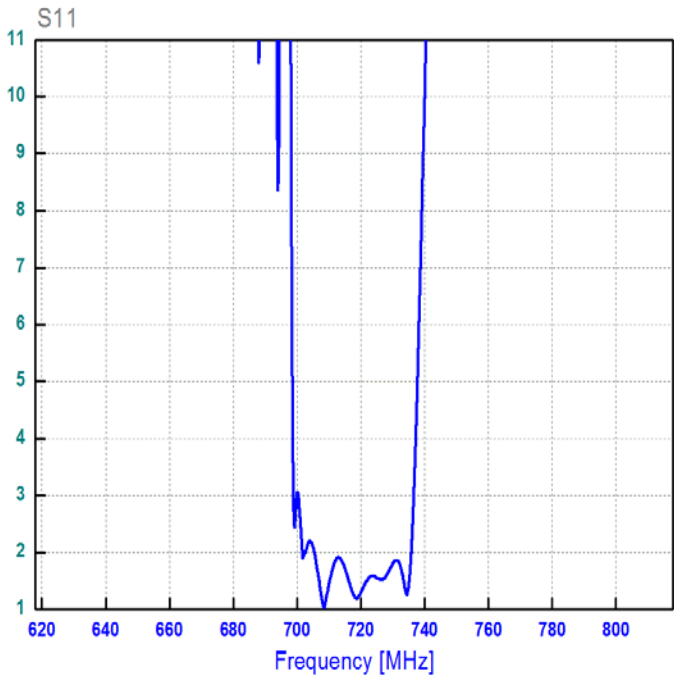
Load Impedance: 100 Ω

Frequency Characteristics

Frequency Response



VSWR



Smith Chart

