



*Total Solution Provider in Saw Device*

---

# SF-073303-C21

Band 28, RF-Tx Balanced Block B SAW Filter  
Revision0: April 2014

MSD/MSL 3



- Electrical Characteristics
  - Package Dimensions
  - Testing Environment
  - Frequency Characteristics
- 

**SAWNICS Inc.**

---

460 Cheonheung-ri, Seonggeo-eup, Cheonan-si, Chungcheongnam-do, 330-836 / Korea.  
Tel: +82 41 550 9372 / Fax: +82 41 550 9399 / [www.sawnics.com](http://www.sawnics.com)

## □ Electrical Characteristics

### Maximum Ratings

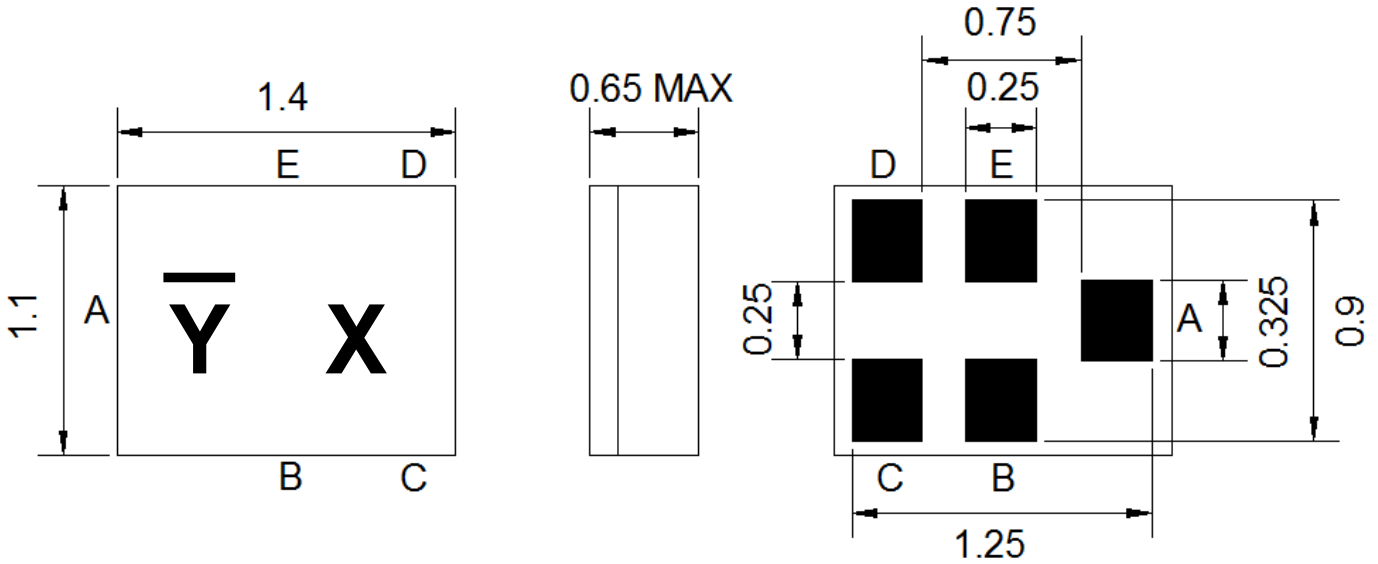
Parameters Description	Unit	Minimum	Typical	Maximum
Operating Temperature Range	°C	-30	-	+85
Storage Temperature Range	°C	-40	-	+85
Maximum DC Voltage	V	-	-	0
Maximum Input Power	dBm	-	-	10
Source Impedance (unbalanced) <sup>(1)</sup>	Ω	-	50	-
Load Impedance (balanced) <sup>(1)</sup>	Ω	-	100	-
Package type & size	C21			
Length x Width	mm <sup>2</sup>	-	1.4 x 1.1	-
Height	mm	-	-	0.65

### Electrical Specification

Parameters Description	Unit	Minimum	Typical	Maximum
Center Frequency (Fo)	MHz	-	733.0	-
Insertion Loss within 718.0 ~ 748.0 MHz	dB	-	2.6	4.0
Amplitude Ripple within 718.0 ~ 748.0 MHz	dB <sub>p-p</sub>	-	1.2	2.6
<b>Attenuation:</b>				
773.0 ~ 803.0 MHz	dB	35	43	-
1406.0 ~ 1496.0 MHz	dB	45	55	-
VSWR within 718.0 ~ 748.0 MHz	-	-	2.5	2.9

**Notes :** (1) With Matching Network .

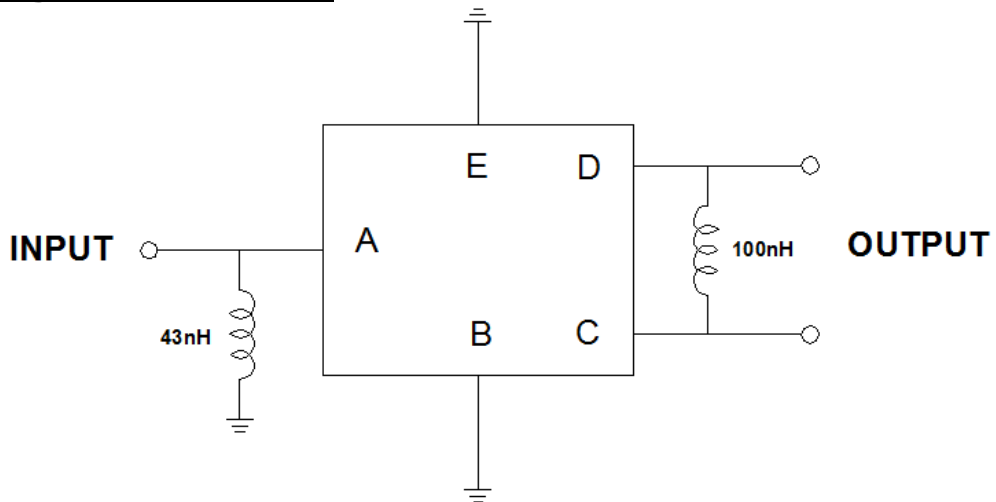
**Package Dimensions**



Marking Descriptions	
Y	Series Number
X	Date Code(Year+Month)

Pin Description	
B, E	Ground
A	Input
C, D	Balanced Output

**Testing Environment**

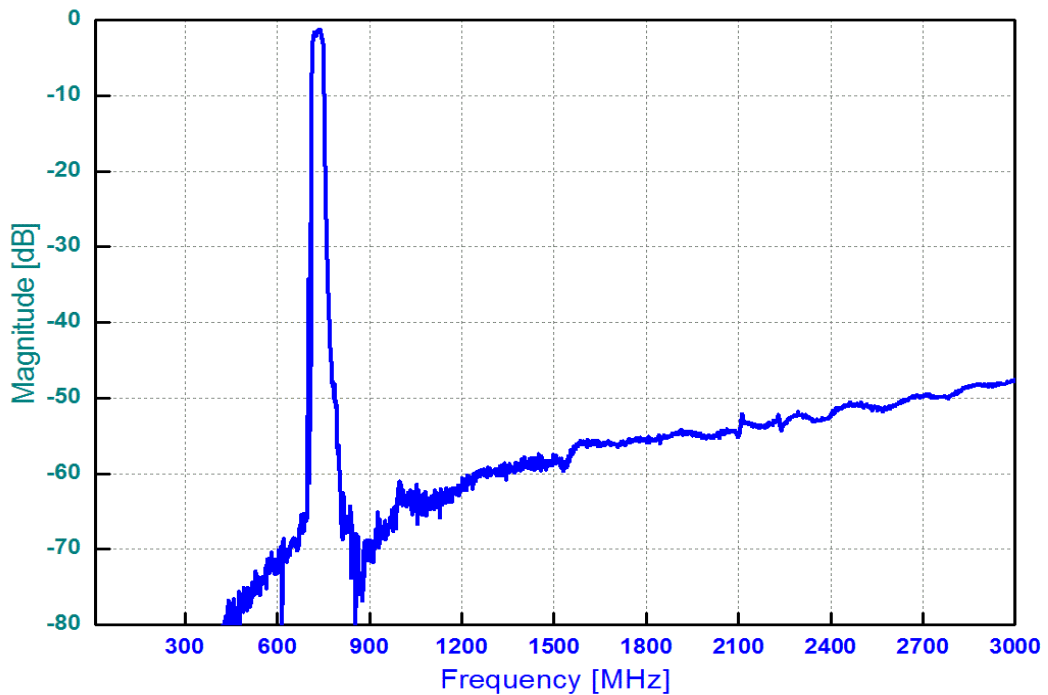
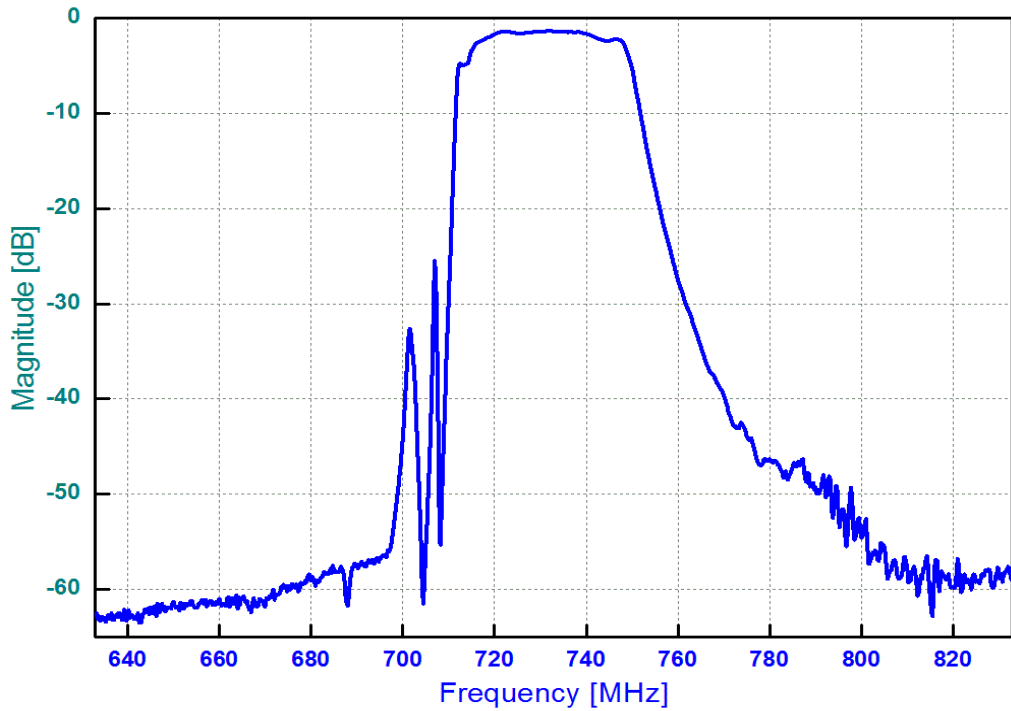


Source Impedance: 50 Ω

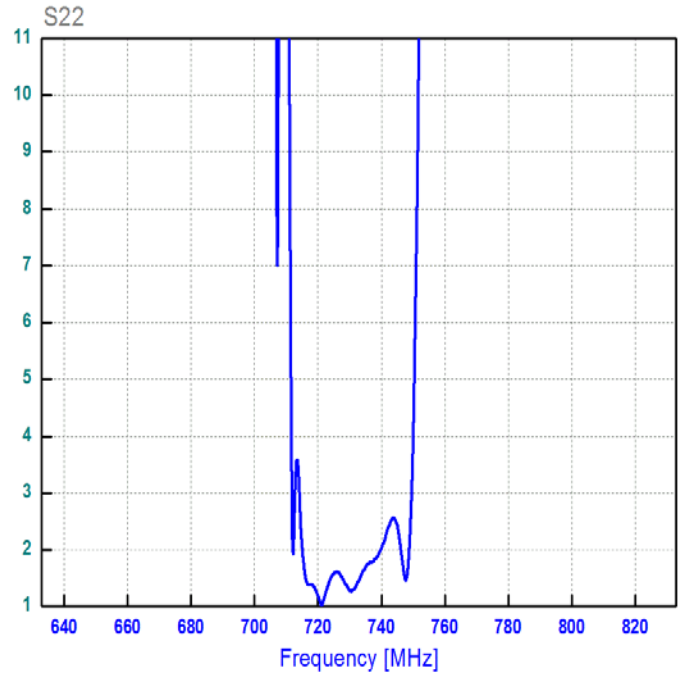
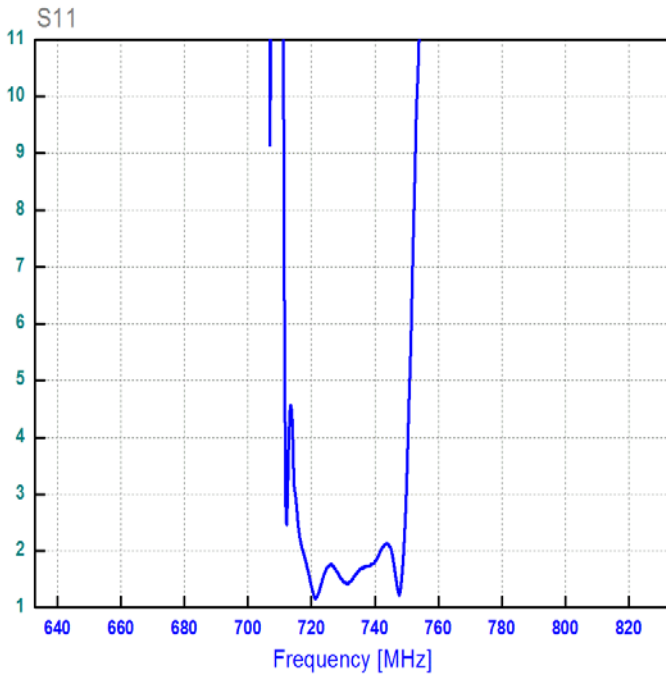
Load Impedance: 100 Ω

## □ Frequency Characteristics

Frequency Response



### VSWR



### Smith Chart

