



Total Solution Provider in Saw Device

SF-074002-C21

Band17, RF-Rx SAW Filter
Revision 0: January 2014



- Electrical Characteristics
 - Package Dimensions
 - Testing Environment
 - Frequency Characteristics
-

SAWNICS Inc.

460 Cheonheung-ri, Seonggeo-eup, Cheonan-si, Chungcheongnam-do, 330-836 / Korea.
Tel: +82 41 550 9372 / Fax: +82 41 550 9399 / www.sawnics.com

□ Electrical Characteristics

Maximum Ratings

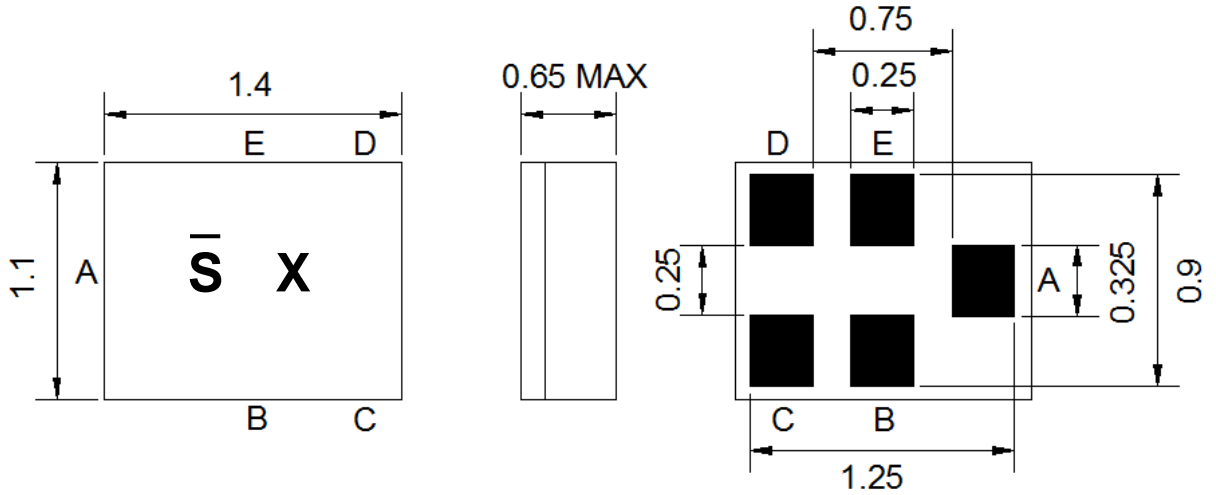
Parameters Description	Unit	Minimum	Typical	Maximum
Operating Temperature Range	°C	-30	-	+85
Storage Temperature Range	°C	-40	-	+85
Maximum DC Voltage	V	-	-	0
Maximum Input Power	dBm	-	-	10
Source Impedance (unbalanced) ⁽¹⁾	Ω	-	50	-
Load Impedance (unbalanced) ⁽¹⁾	Ω	-	50	-
Package type & size	C21			
Length x Width	mm ²	-	1.4 x 1.1	-
Height	mm	-	-	0.65

Electrical Specification

Parameters Description	Unit	Minimum	Typical	Maximum
Center Frequency (Fo)	MHz	-	740.0	-
Insertion Loss within 734.0 ~ 746.0 MHz	dB	-	1.8	2.8
Amplitude Ripple within 734.0 ~ 746.0 MHz	dB _{p-p}	-	0.8	1.0
Relative Attenuation:				
725.0 MHz	dB	20	48	-
704.0~ 716.0 MHz	dB	40	44	-
VSWR within 734.0 ~ 746.0 MHz	-	-	1.4	2.0

Notes : (1) No Matching Network (Ref. Testing Environment Circuit as shown below).

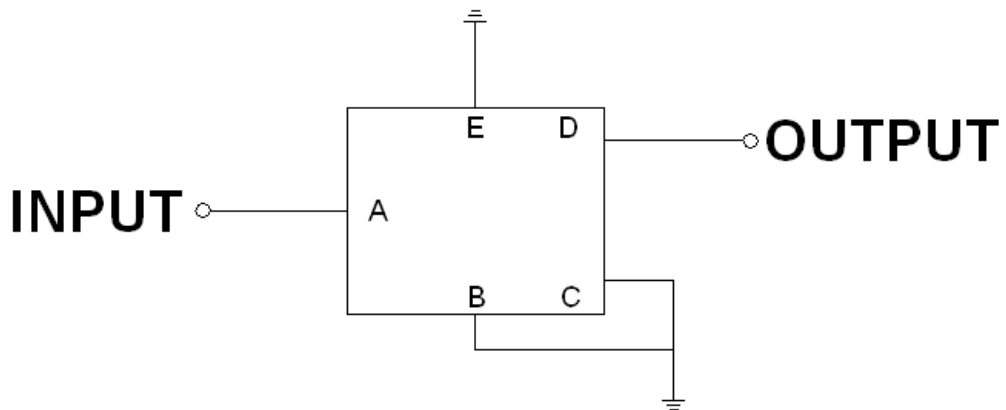
Package Dimensions



Marking Descriptions	
\bar{S}	Series Number
X	Date Code(Year+Month)

Pin Description	
B, C, E	Ground
A	Input
D	Output

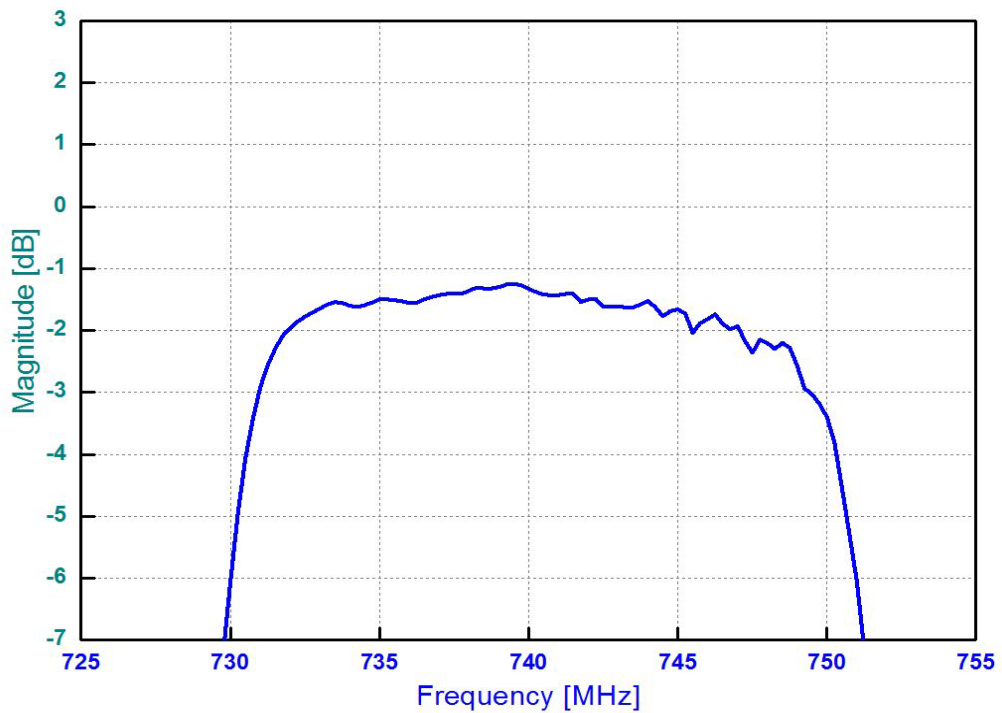
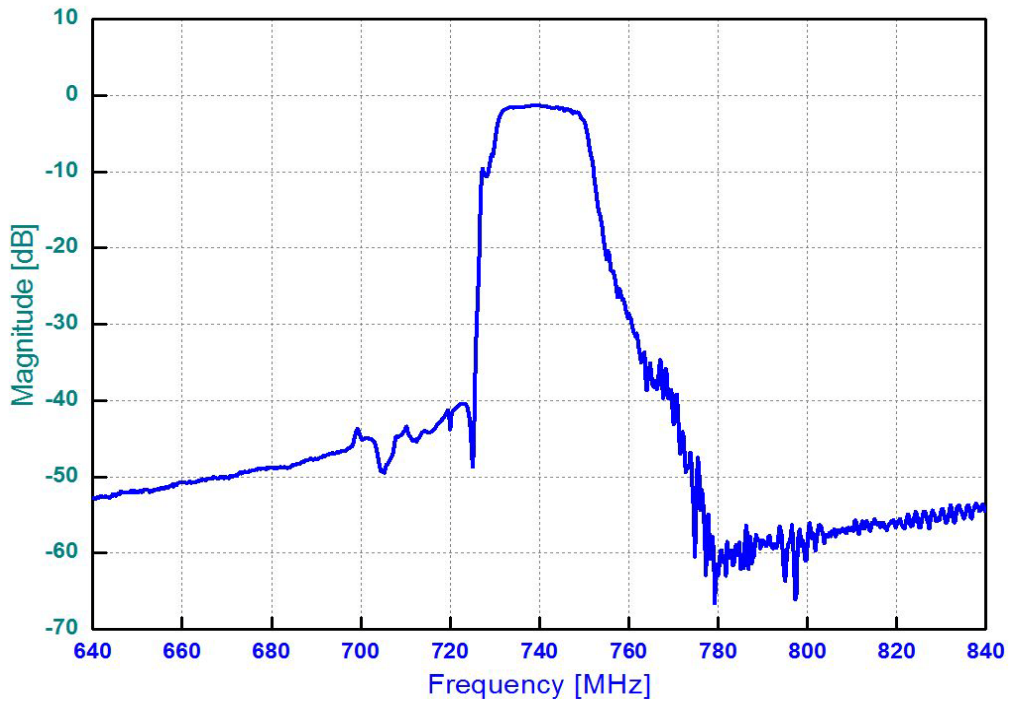
Testing Environment



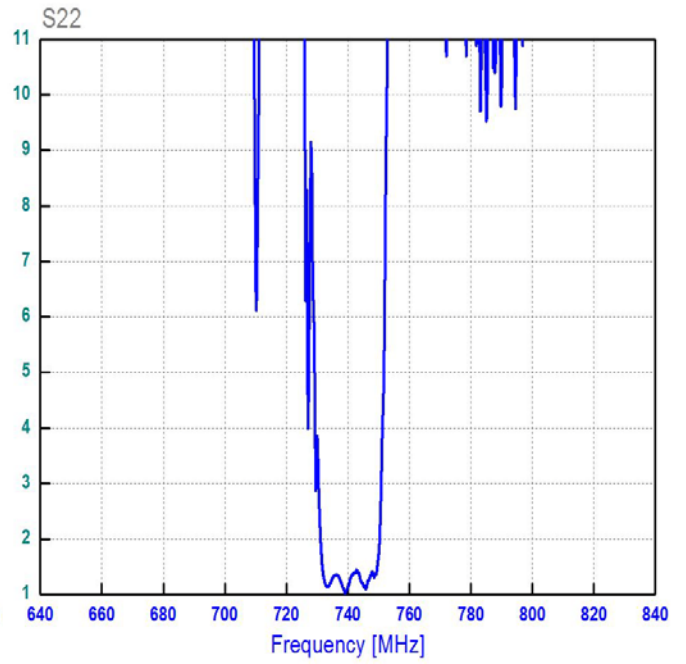
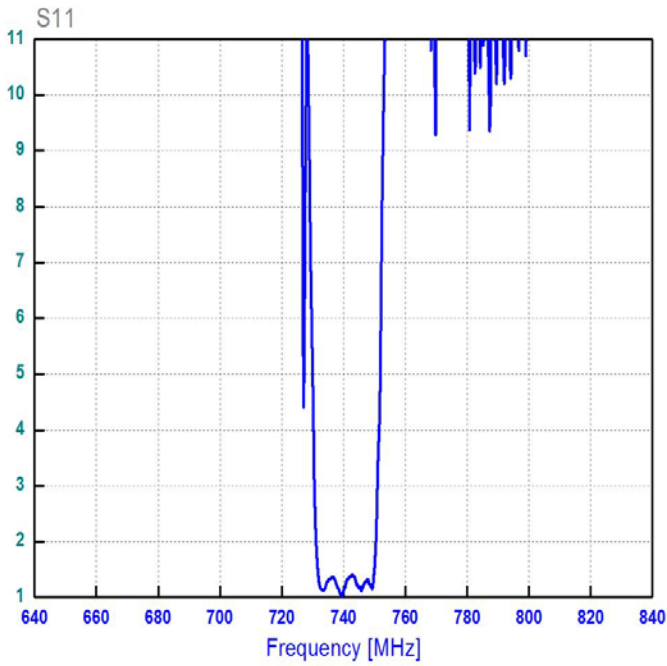
Source & Load Impedance: 50 Ω

□ Frequency Characteristics

Frequency Response



VSWR



Smith Chart

