



*Total Solution Provider in Saw Device*

---

# SF-078202-C21

Band 13, RF-Tx SAW Filter  
Revision 0: May 2014

MSD/MSL 3



- Electrical Characteristics
  - Package Dimensions
  - Testing Environment
  - Frequency Characteristics
- 

**SAWNICS Inc.**

---

460 Cheonheung-ri, Seonggeo-eup, Cheonan-si, Chungcheongnam-do, 330-836 / Korea.  
Tel: +82 41 550 9372 / Fax: +82 41 550 9399 / [www.sawnics.com](http://www.sawnics.com)

## □ Electrical Characteristics

### Maximum Ratings

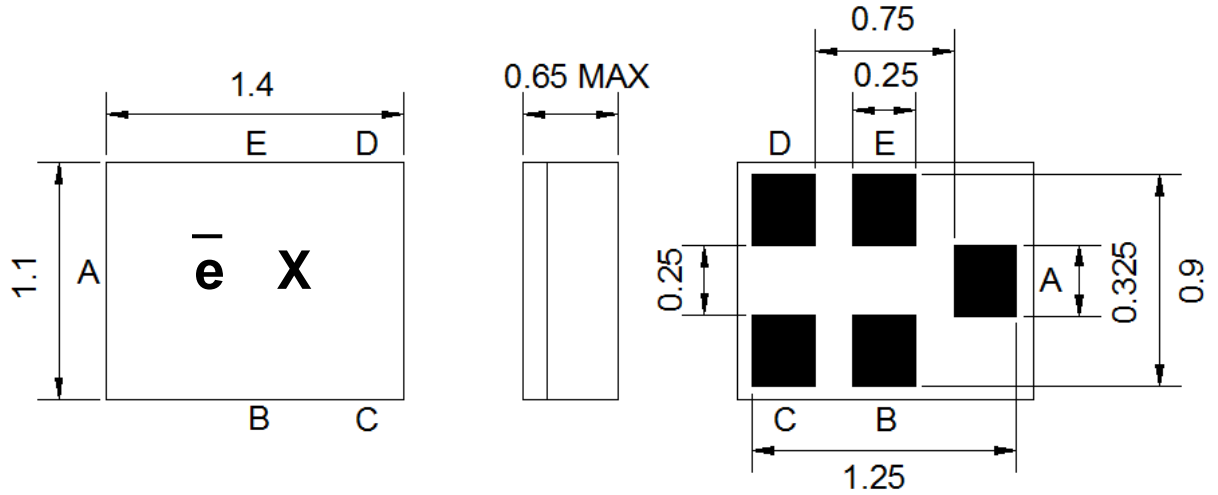
Parameters Description	Unit	Minimum	Typical	Maximum
Operating Temperature Range	°C	-30	-	+85
Storage Temperature Range	°C	-40	-	+85
Maximum DC Voltage	V	-	-	0
Maximum Input Power	dBm	-	-	10
Source Impedance (single ended)	Ω	-	50	-
Load Impedance (single ended)	Ω	-	50	-
Package type & size	C21			
Length x Width	mm <sup>2</sup>	-	1.4 x 1.1	-
Height	mm	-	-	0.65

### Electrical Specification

Parameters Description	Unit	Minimum	Typical	Maximum
Center Frequency (Fo)	MHz	-	782.0	-
Max.Insertion Loss within 777.0 ~ 787.0 MHz	dB	-	2.5	3.5
Amplitude Ripple within 777.0 ~ 787.0 MHz	dB <sub>p-p</sub>	-	1.0	2.0
<b>Attenuation:</b>				
746.0 ~ 756.0 MHz	dB	40	47	-
758.0 ~ 768.0 MHz	dB	40	48	-
766.5 MHz	dB	40	48	-
793.0 ~ 805.0 MHz	dB	12	23	-
VSWR within 777.0 ~ 787.0 MHz	dB	-	1.7	2.0

**Notes :** (1) No Matching Network

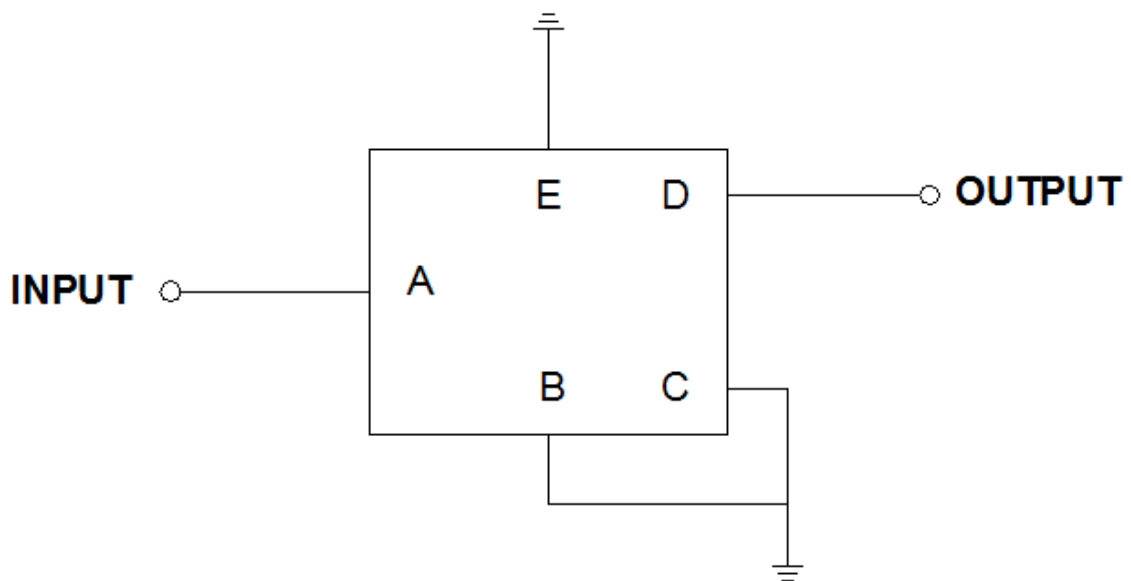
**Package Dimensions**



Marking Descriptions	
$\bar{e}$	Series Number
X	Date Code(Year+Month)

Pin Description	
B, C, E	Ground
A	Input
D	Output

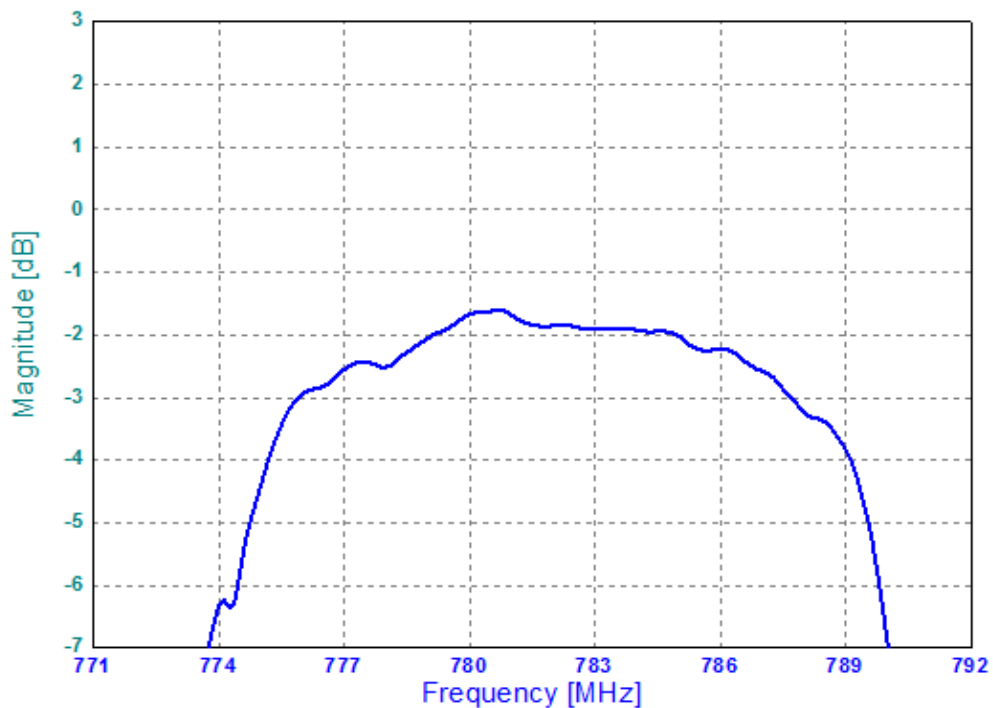
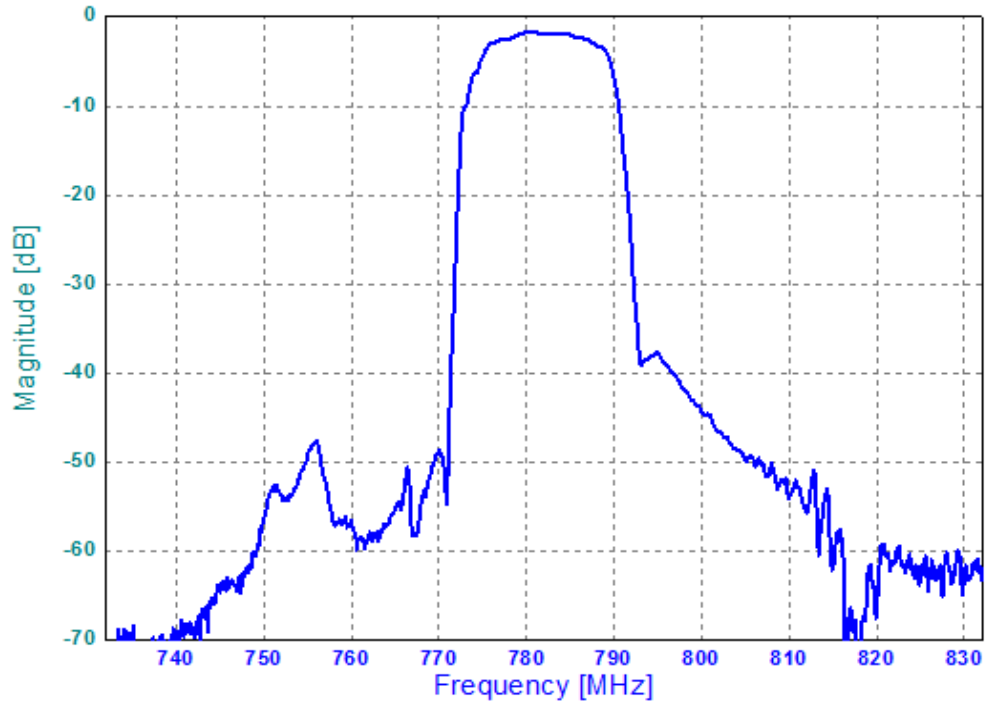
**Testing Environment**



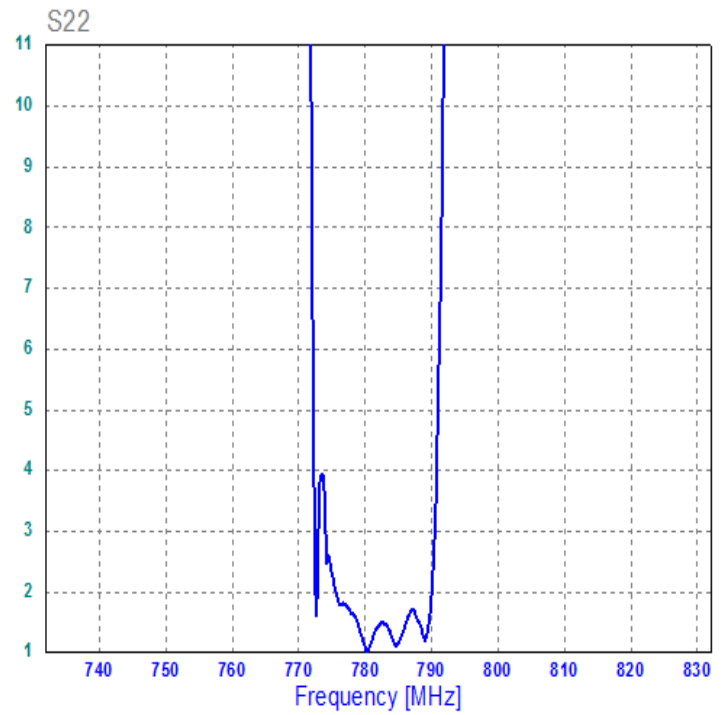
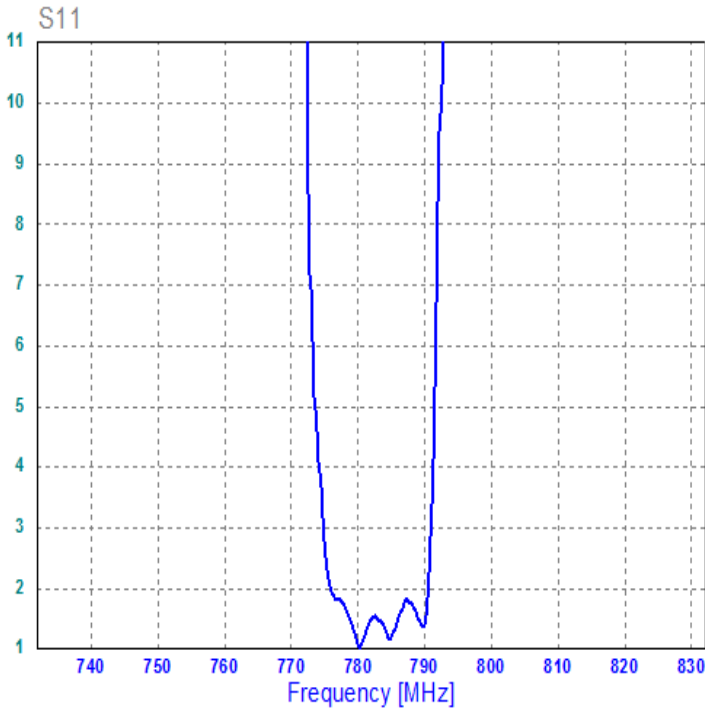
Source & Load Impedance: 50  $\Omega$

**□ Frequency Characteristics**

Frequency Response



**VSWR**



**Smith Chart**

