



Total Solution Provider in Saw Device

SF-083602-C12

CDMA, RF-Tx SAW Filter
Revision 0: November 2012



- Electrical Characteristics
 - Package Dimensions
 - Testing Environment
 - Frequency Characteristics
-

SAWNICS Inc.

460 Cheonheung-ri, Seonggeo-eup, Cheonan-si, Chungcheongnam-do, 330-836 / Korea.
Tel: +82 41 550 9372 / Fax: +82 41 550 9399 / www.sawnics.com



Electrical Characteristics

Maximum Ratings

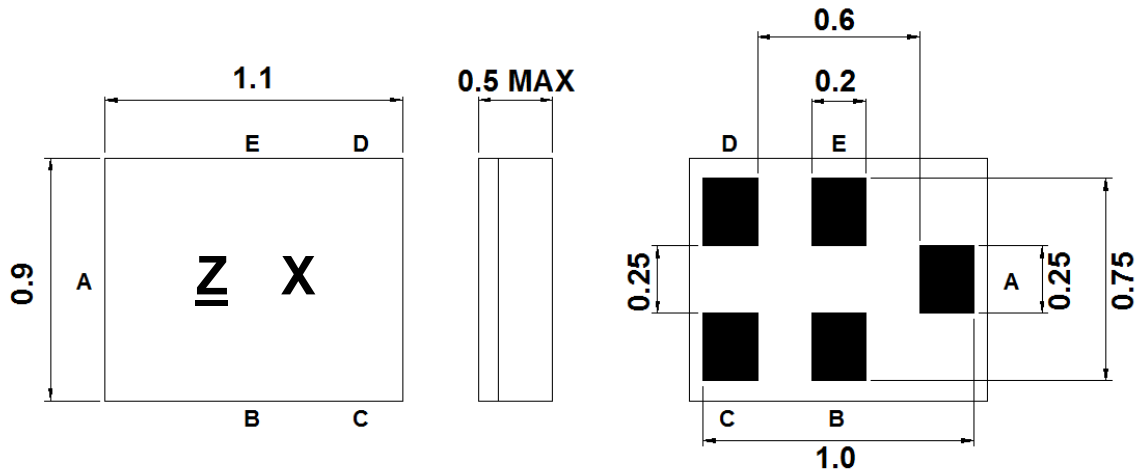
Parameters Description	Unit	Minimum	Typical	Maximum
Operating Temperature Range	°C	-30	-	+85
Storage Temperature Range	°C	-40	-	+85
Maximum DC Voltage	V	-	-	-
Maximum Input Power	dBm	-	-	16
Source Impedance (single ended)	Ω	-	50	-
Load Impedance (single ended)	Ω	-	50	-
Package type & size	C12			
Length x Width	mm ²	-	1.1 x 0.9	-
Height	mm	-	-	0.5

Electrical Specification

Parameters Description	Unit	Minimum	Typical	Maximum
Center Frequency (Fo)	MHz	-	836.5	-
Insertion Loss within 824.0 ~ 849.0 MHz	dB	-	2.2	2.5
Amplitude Ripple within 824.0 ~ 849.0 MHz	dB _{p-p}	-	0.7	1.2
Attenuation:				
DC ~ 779.0 MHz	dB	35	38	-
779.0 ~ 804.0 MHz	dB	35	37	-
804.0 ~ 814.0 MHz	dB	5	8	-
859.0 ~ 869.0 MHz	dB	7	15	-
869.0 ~ 894.0 MHz	dB	30	35	-
894.0 ~ 1570.0 MHz	dB	28	32	-
1570.0 ~ 2200.0 MHz	dB	23	28	-
2200.0 ~ 6000.0 MHz	dB	15	19	-
VSWR within 824.0 ~ 849.0 MHz		-	1.8	2.1

Notes : (1) No Matching Network (Ref. Testing Environment Circuit as shown below).

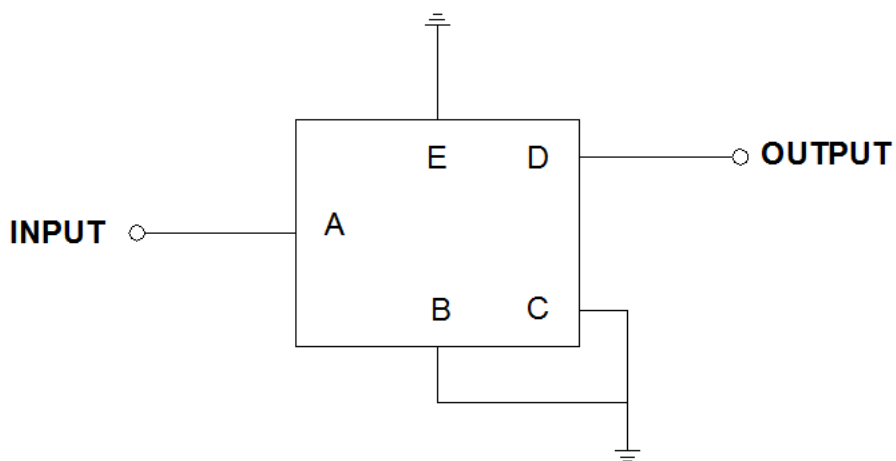
Package Dimensions



Marking Descriptions	
Z	Series Number
X	Date Code(Year+Month)

Pin Description	
B, C, E	Ground
A	Input
D	Output

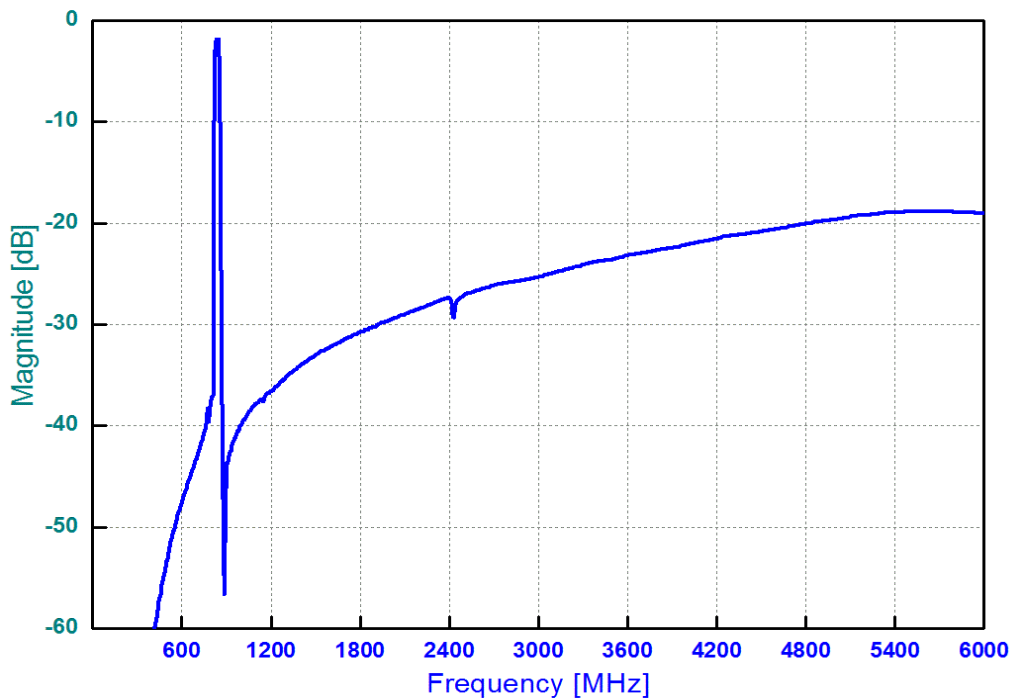
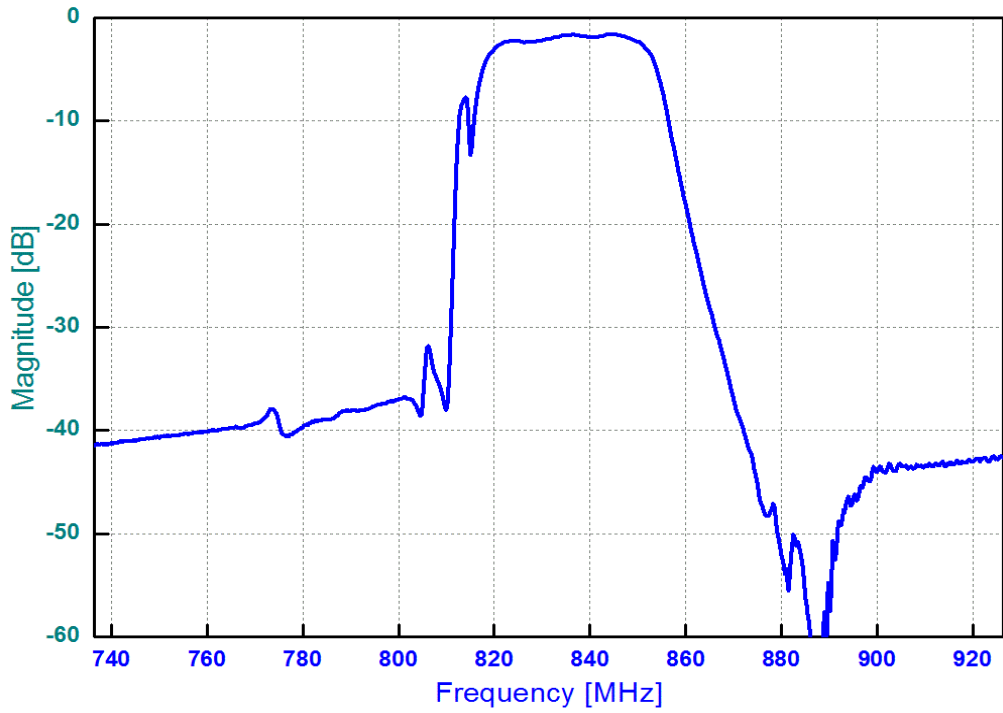
Testing Environment



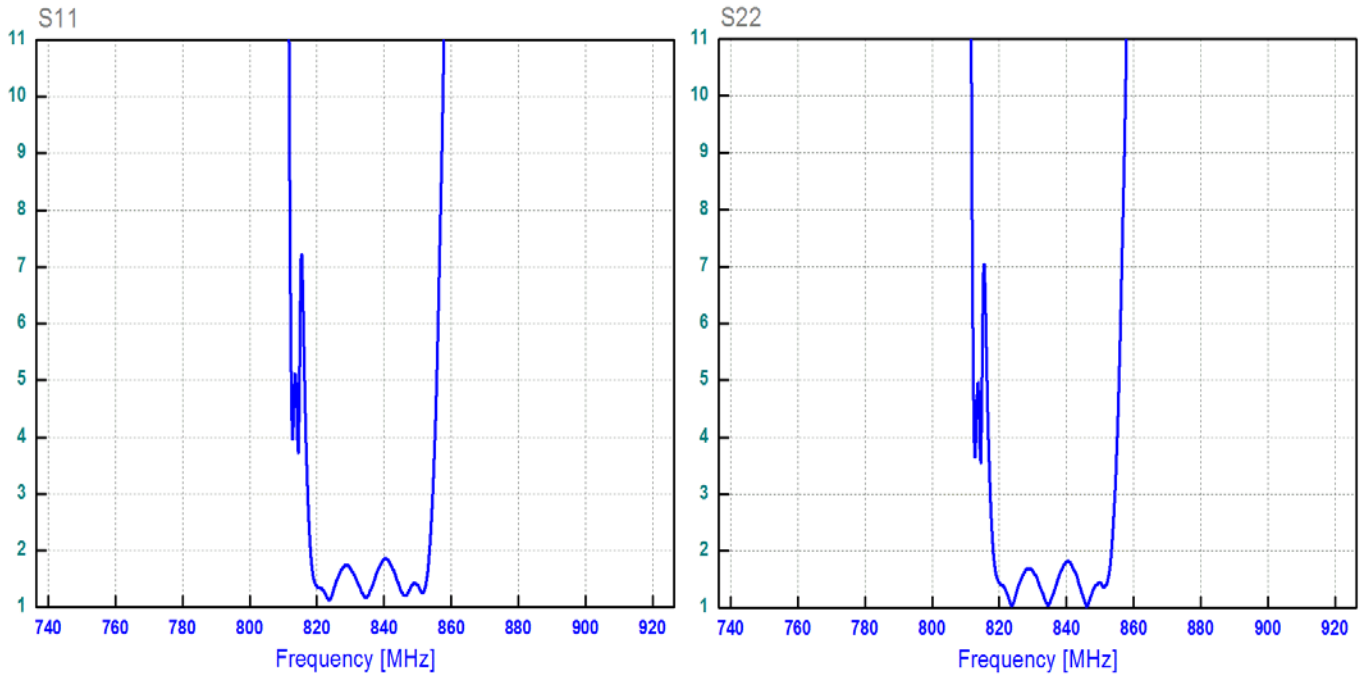
Source & Load Impedance: 50 Ω

□ Frequency Characteristics

Frequency Response



VSWR



Smith Chart

