



*Total Solution Provider in Saw Device*

---

# SF-088102-C12

CDMA, RF-Rx Balanced SAW Filter  
Revision 0: November 2012



- Electrical Characteristics
  - Package Dimensions
  - Testing Environment
  - Frequency Characteristics
- 

**SAWNICS Inc.**

---

460 Cheonheung-ri, Seonggeo-eup, Cheonan-si, Chungcheongnam-do, 330-836 / Korea.  
Tel: +82 41 550 9372 / Fax: +82 41 550 9399 / [www.sawnics.com](http://www.sawnics.com)



**Electrical Characteristics**

**Maximum Ratings**

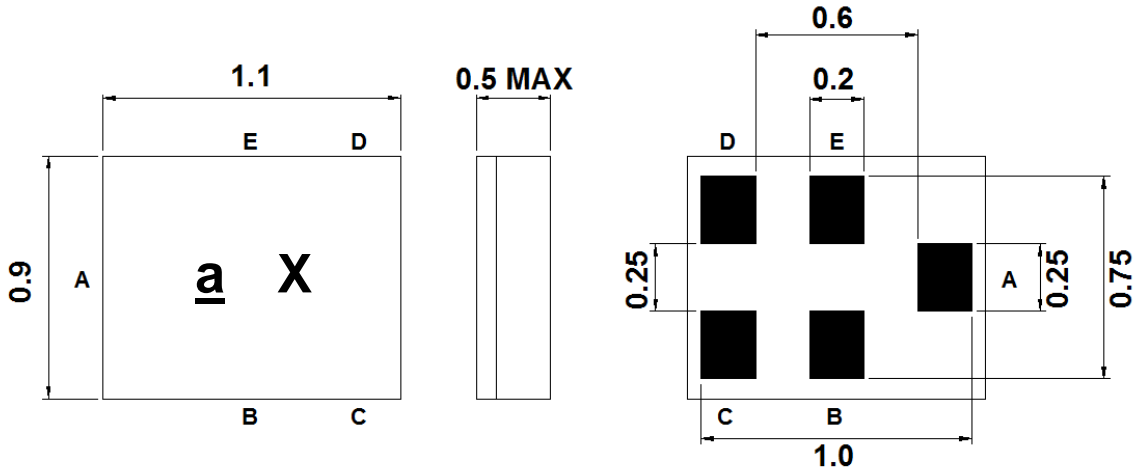
Parameters Description	Unit	Minimum	Typical	Maximum
Operating Temperature Range	°C	-30	-	+85
Storage Temperature Range	°C	-40	-	+85
Maximum DC Voltage	V	-	-	-
Maximum Input Power	dBm	-	-	15
Source Impedance (single ended)	Ω	-	50	-
Load Impedance (balanced)	Ω	-	100	-
Package type & size	C12			
Length x Width	mm <sup>2</sup>	-	1.1 x 0.9	-
Height	mm	-	-	0.5

**Electrical Specification**

Parameters Description	Unit	Minimum	Typical	Maximum
Center Frequency (Fo)	MHz	-	881.5	-
Insertion Loss within 869.0 ~ 894.0 MHz	dB	-	2.4	2.8
Amplitude Ripple within 869.0 ~ 894.0 MHz	dB <sub>p-p</sub>	-	0.6	1.2
<b>Attenuation:</b>				
DC ~ 824.0 MHz	dB	45	50	-
824.0 ~ 849.0 MHz	dB	40	55	-
914.0 ~ 950.0 MHz	dB	25	30	-
950.0 ~ 1150.0 MHz	dB	45	55	-
1150.0 ~ 1250.0 MHz	dB	50	60	-
1250.0 ~ 3000.0 MHz	dB	40	45	-
3000.0 ~ 6000.0 MHz	dB	35	38	-
VSWR within 869.0 ~ 894.0 MHz		-	2.0	2.2

**Notes :** (1) No Matching Network (Ref. Testing Environment Circuit as shown below).

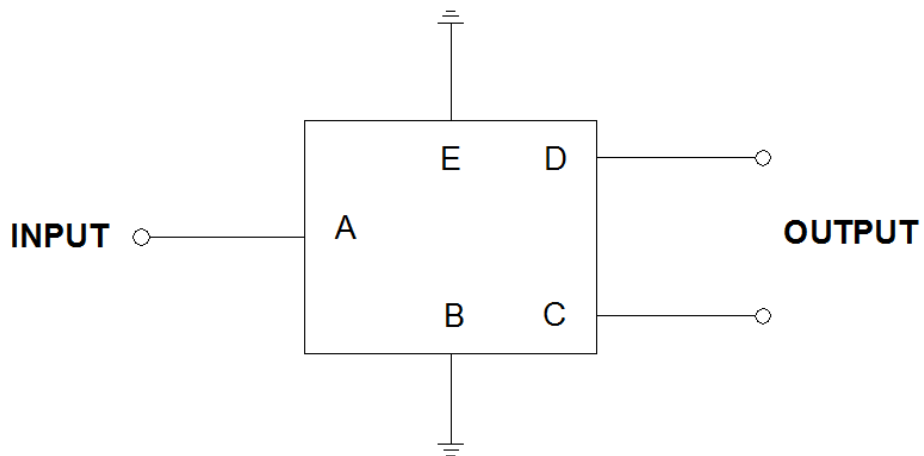
**Package Dimensions**



Marking Descriptions	
a	Series Number
X	Date Code(Year+Month)

Pin Description	
B, E	Ground
A	Input
C,D	Balanced Output

**Testing Environment**

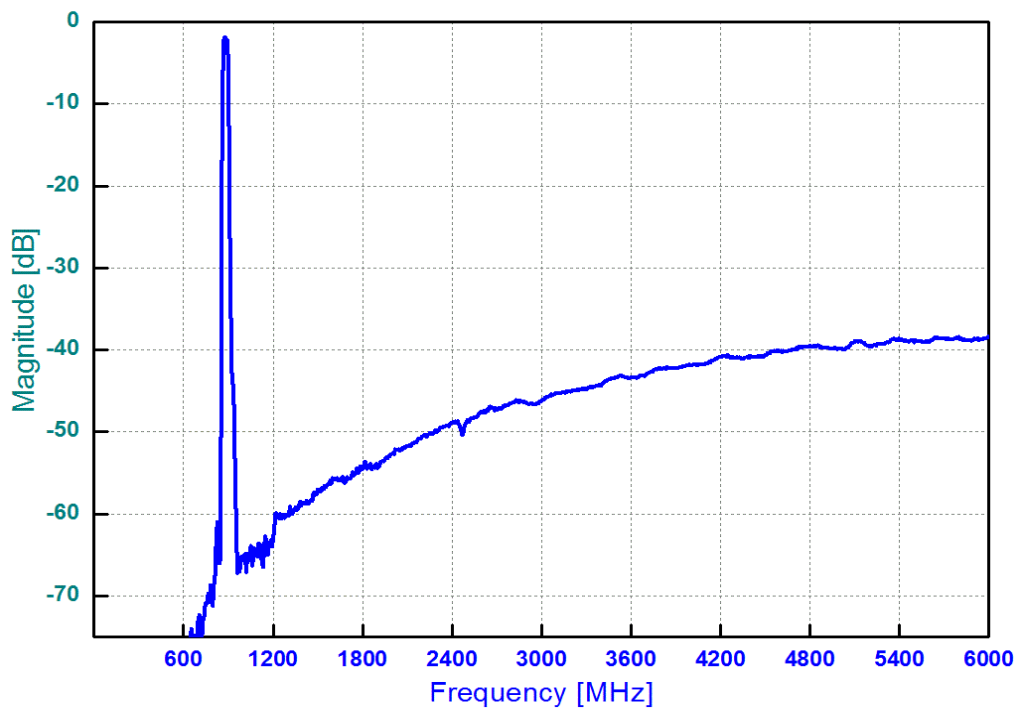
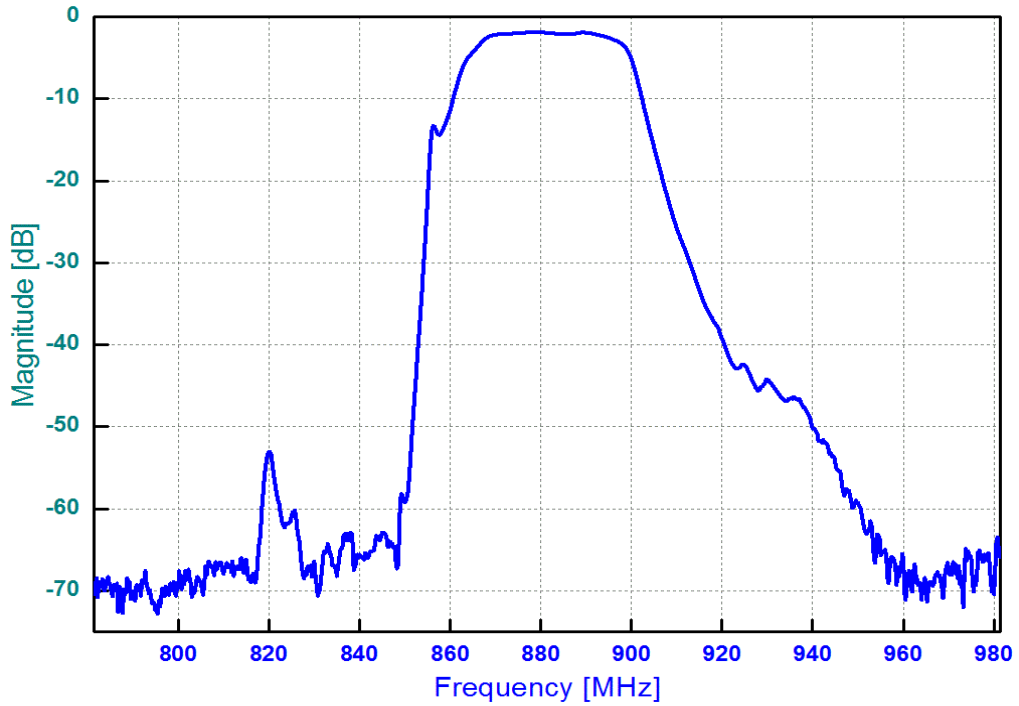


Source Impedance: 50 Ω

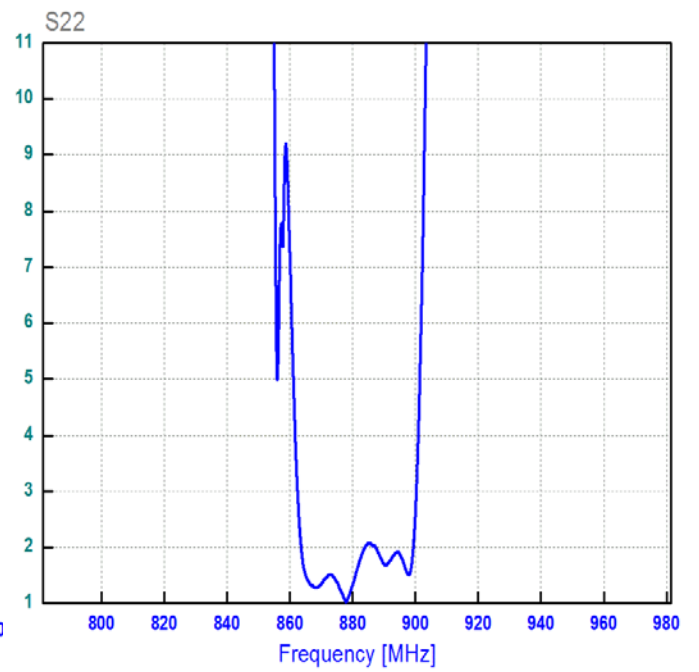
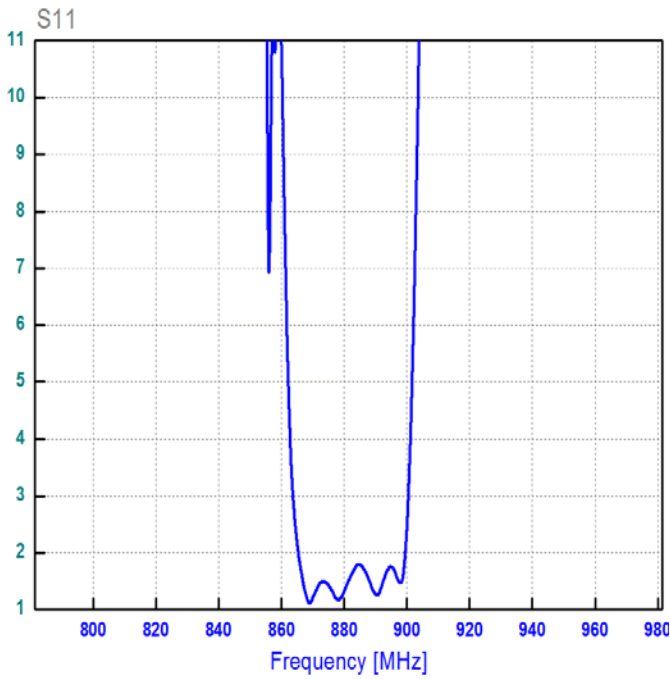
Load Impedance: 100 Ω

**□ Frequency Characteristics**

Frequency Response



### VSWR



### Smith Chart

