



*Total Solution Provider in Saw Device*

---

# SF-235002-C25

Wireless, RF SAW Filter  
Revision 0: April 2013



- Electrical Characteristics
  - Package Dimensions
  - Testing Environment
  - Frequency Characteristics
- 

**SAWNICS Inc.**

---

460 Cheonheung-ri, Seonggeo-eup, Cheonan-si, Chungcheongnam-do, 330-836 / Korea.  
Tel: +82 41 550 9372 / Fax: +82 41 550 9399 / [www.sawnics.com](http://www.sawnics.com)



**Electrical Characteristics**

**Maximum Ratings**

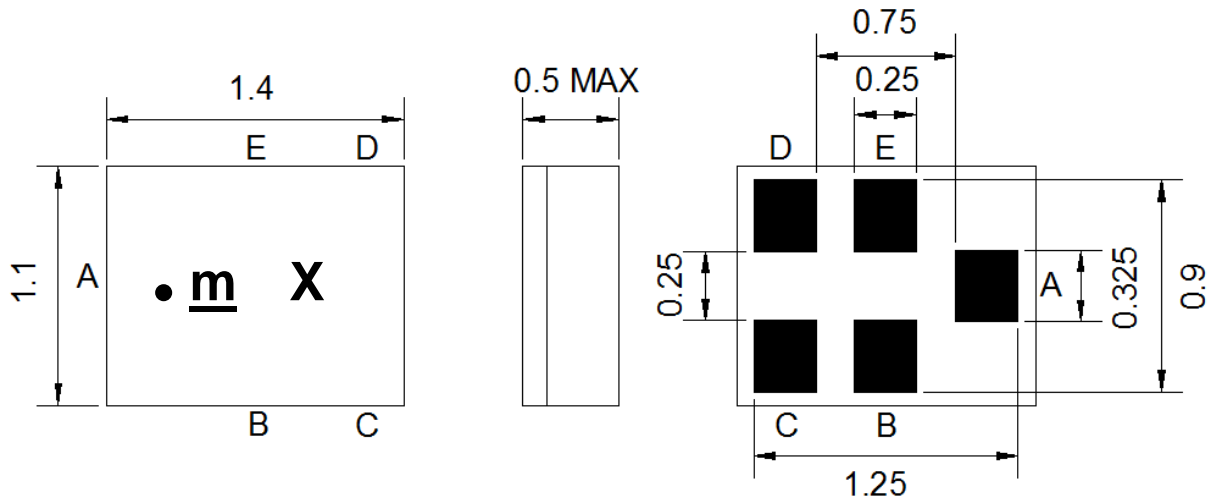
| Parameters Description                         | Unit            | Minimum | Typical   | Maximum |
|--|-----------------|---------|-----------|---------|
| Operating Temperature Range                    | °C              | -30     | -         | +85     |
| Storage Temperature Range                      | °C              | -40     | -         | +85     |
| Maximum DC Voltage                             | V               | -       | -         | 0       |
| Maximum Input Power                            | dBm             | -       | -         | 10      |
| Source Impedance (single ended) <sup>(1)</sup> | Ω               | -       | 50        | -       |
| Load Impedance (single ended) <sup>(1)</sup>   | Ω               | -       | 50        | -       |
| Package type & size                            | C25             |         |           |         |
| Length x Width                                 | mm <sup>2</sup> | -       | 1.4 x 1.1 | -       |
| Height   | mm              | -       | -         | 0.50    |

**Electrical Specification**

| Parameters Description                      | Unit              | Minimum | Typical | Maximum |
|---|-------------------|---------|---------|---------|
| Center Frequency (Fo)                       | MHz               | -       | 2350.0  | -       |
| Max.Insertion Loss within 2300.0~2400.0 MHz | dB                | -       | 1.8     | 2.8     |
| Amplitude Ripple within 2300.0~2400.0 MHz   | dB <sub>p-p</sub> | -       | 0.6     | 1.5     |
| <b>Attenuation:</b>                         |                   |         |         |         |
| 10.0 ~ 1574.0 MHz                           | dB                | 30      | 37      | -       |
| 1574.0 ~ 1577.0 MHz                         | dB                | 30      | 37      | -       |
| 1577.0 ~ 1680.0 MHz                         | dB                | 30      | 37      | -       |
| 1845.0 ~ 1880.0 MHz                         | dB                | 30      | 38      | -       |
| 2110.0 ~ 2170.0 MHz                         | dB                | 25      | 30      | -       |
| 2240.0 ~ 2285.0 MHz                         | dB                | 1.0     | 1.8     | -       |
| 2415.0 ~ 2420.0 MHz                         | dB                | 1.5     | 3       | -       |
| 2420.0 ~ 2460.0 MHz                         | dB                | 1.5     | 3       | -       |
| 2460.0 ~ 2485.0 MHz                         | dB                | 8       | 13      | -       |
| 2485.0 ~ 2500.0 MHz                         | dB                | 30      | 40      | -       |
| 2500.0 ~ 3000.0 MHz                         | dB                | 20      | 29      | -       |
| 4600.0 ~ 4800.0 MHz                         | dB                | 15      | 21      | -       |
| 4800.0 ~ 6000.0 MHz                         | dB                | 15      | 20      | -       |
| VSWR within 2300.0~2400.0 MHz               | -                 | -       | 1.8     | 2.2     |

**Notes :** (1) With Matching Network (Ref. Testing Environment Circuit as shown below).

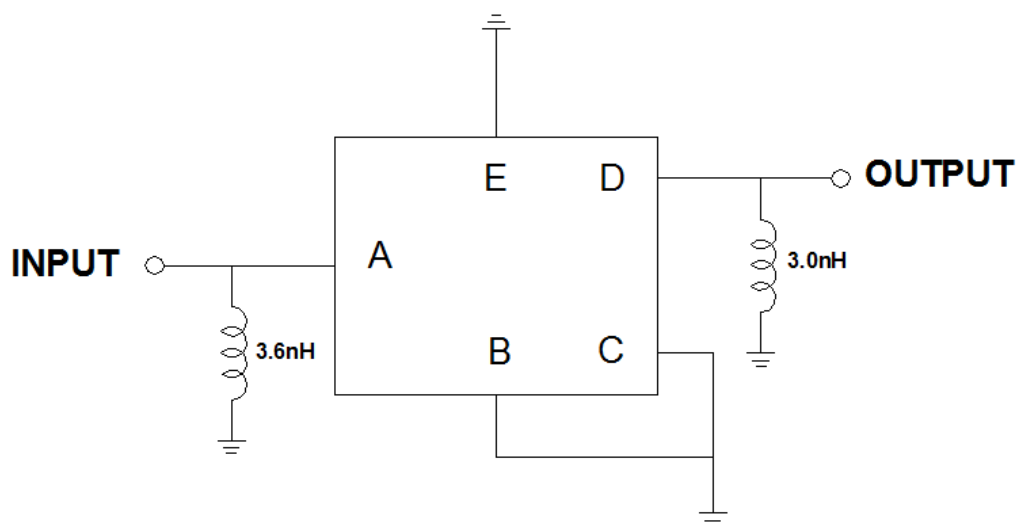
**Package Dimensions**



| Marking Descriptions |                       |
|----------------------|-----------------------|
| <u>m</u>             | Series Number         |
| X                    | Date Code(Year+Month) |

| Pin Description |        |
|-----------------|--------|
| B, C, E         | Ground |
| A               | Input  |
| D               | Output |

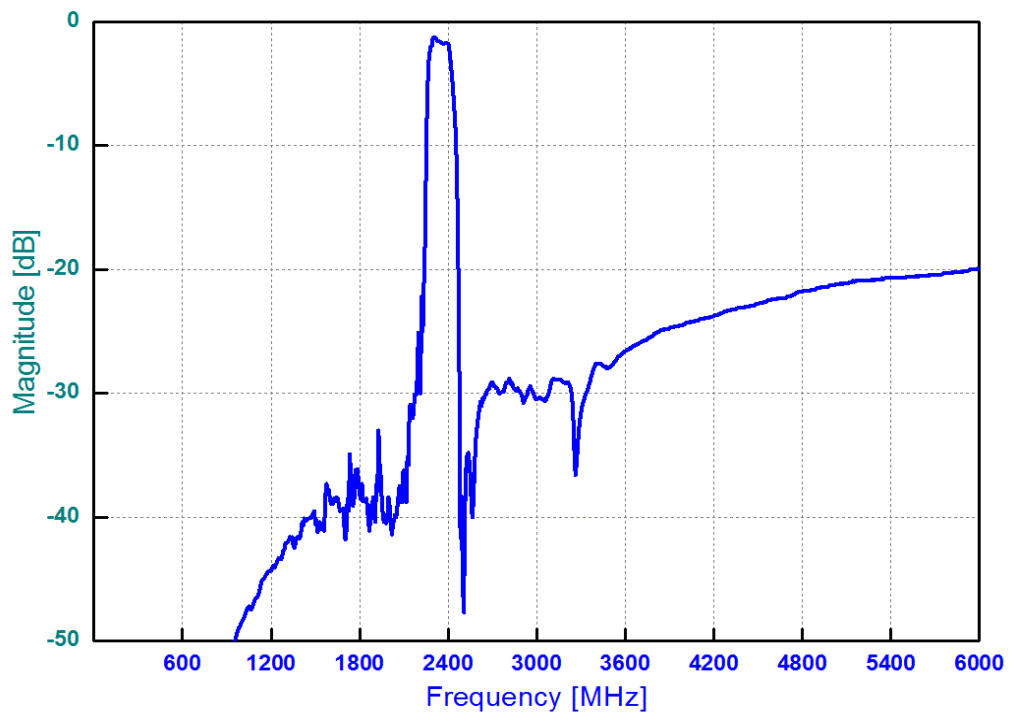
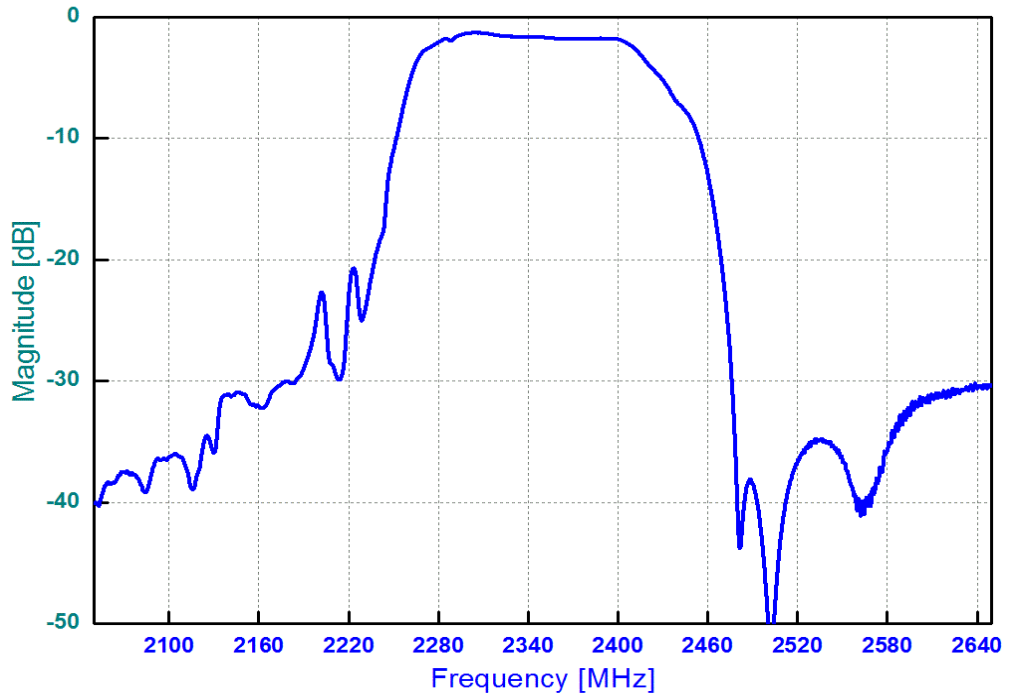
**Testing Environment**



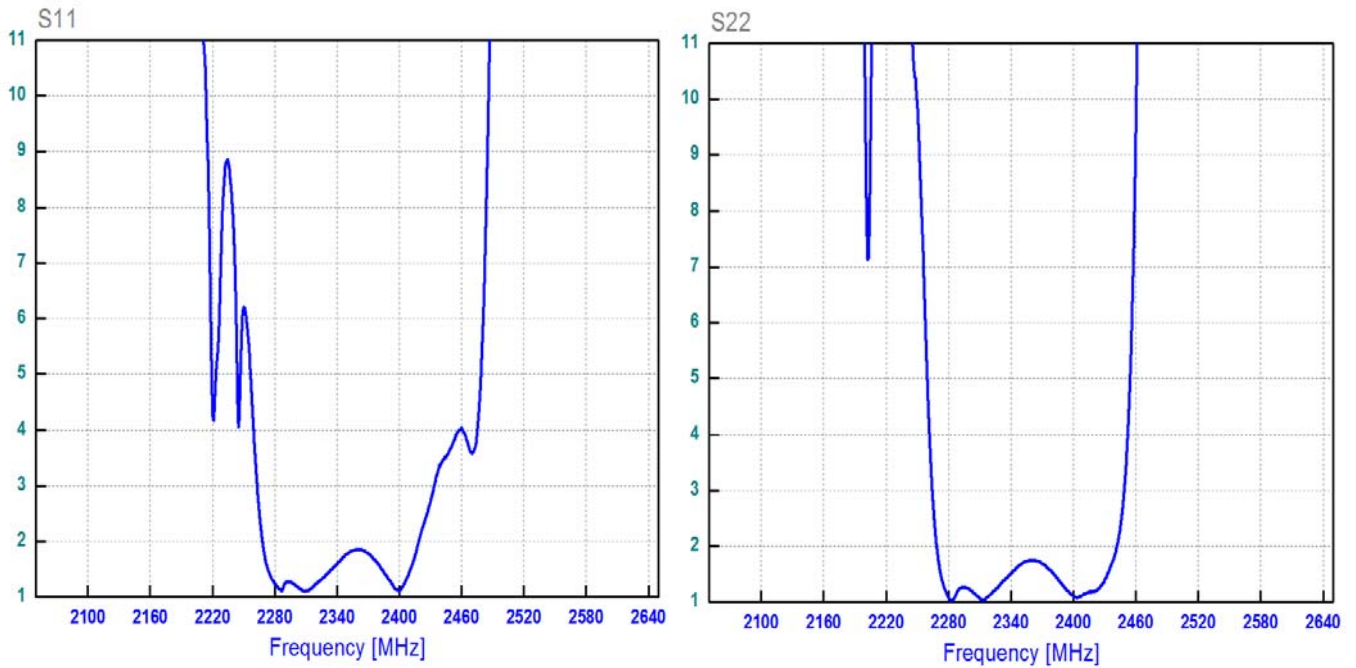
Source & Load Impedance: 50 Ω

**□ Frequency Characteristics**

Frequency Response



### VSWR



### Smith Chart

