



*Total Solution Provider in Saw Device*

---

# SF-259503-C25

Wireless, RF SAW Filter  
Revision 0: April 2013



- Electrical Characteristics
  - Package Dimensions
  - Testing Environment
  - Frequency Characteristics
- 

**SAWNICS Inc.**

---

460 Cheonheung-ri, Seonggeo-eup, Cheonan-si, Chungcheongnam-do, 330-836 / Korea.  
Tel: +82 41 550 9372 / Fax: +82 41 550 9399 / [www.sawnics.com](http://www.sawnics.com)



**Electrical Characteristics**

**Maximum Ratings**

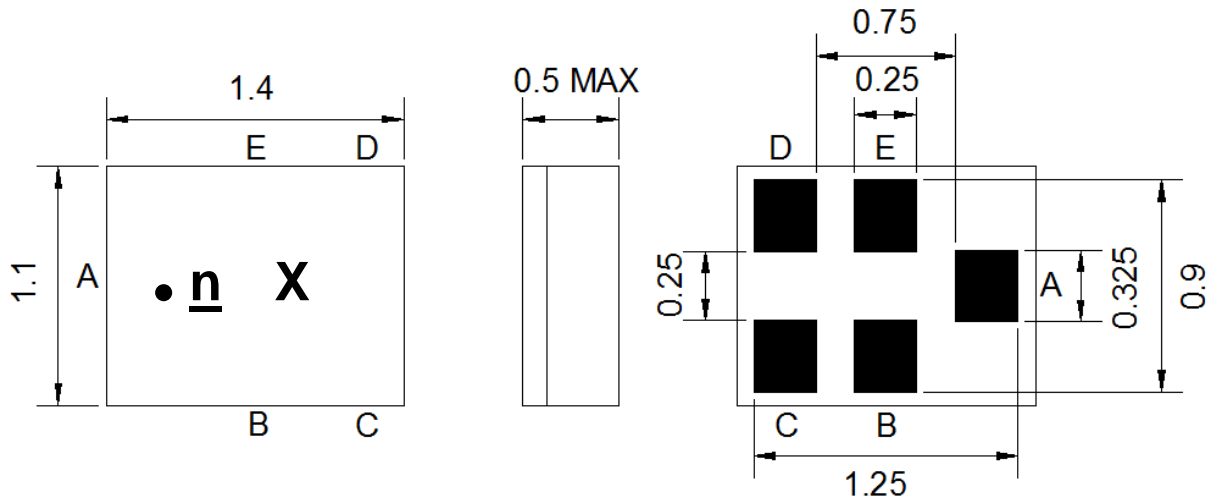
Parameters Description	Unit	Minimum	Typical	Maximum
Operating Temperature Range	°C	-30	-	+85
Storage Temperature Range	°C	-40	-	+85
Maximum DC Voltage	V	-	-	0
Maximum Input Power	dBm	-	-	10
Source Impedance (single ended) <sup>(1)</sup>	Ω	-	50	-
Load Impedance (single ended) <sup>(1)</sup>	Ω	-	50	-
Package type & size	C25			
Length x Width	mm <sup>2</sup>	-	1.4 x 1.1	-
Height	mm	-	-	0.50

**Electrical Specification**

Parameters Description	Unit	Minimum	Typical	Maximum
Center Frequency (Fo)	MHz	-	2595.0	-
Max.Insertion Loss within 2570.0~2620.0 MHz	dB	-	1.8	2.5
Amplitude Ripple within 2570.0~2620.0 MHz	dB <sub>p-p</sub>	-	1.0	1.7
<b>Attenuation:</b>				
10.0 ~ 200.0 MHz	dB	30	42	-
200.0 ~ 1570.0 MHz	dB	20	27	-
1570.0 ~ 1580.0 MHz	dB	20	27	-
1580.0 ~ 2000.0 MHz	dB	20	27	-
2000.0 ~ 2300.0 MHz	dB	20	27	-
2300.0 ~ 2400.0 MHz	dB	25	30	-
2400.0 ~ 2485.0 MHz	dB	25	34	-
2485.0 ~ 2510.0 MHz	dB	25	31	-
2510.0 ~ 2555.0 MHz	dB	1.0	2.3	-
2635.0 ~ 2680.0 MHz	dB	1.0	3.2	-
2680.0 ~ 2705.0 MHz	dB	30	36	-
2705.0 ~ 3000.0 MHz	dB	25	30	-
3000.0 ~ 4000.0 MHz	dB	25	30	-
4000.0 ~ 4900.0 MHz	dB	25	36	-
4900.0 ~ 6000.0 MHz	dB	20	28	-
VSWR within 2570.0~2620.0 MHz	-	-	1.9	2.2

**Notes :** (1) No Matching Network (Ref. Testing Environment Circuit as shown below).

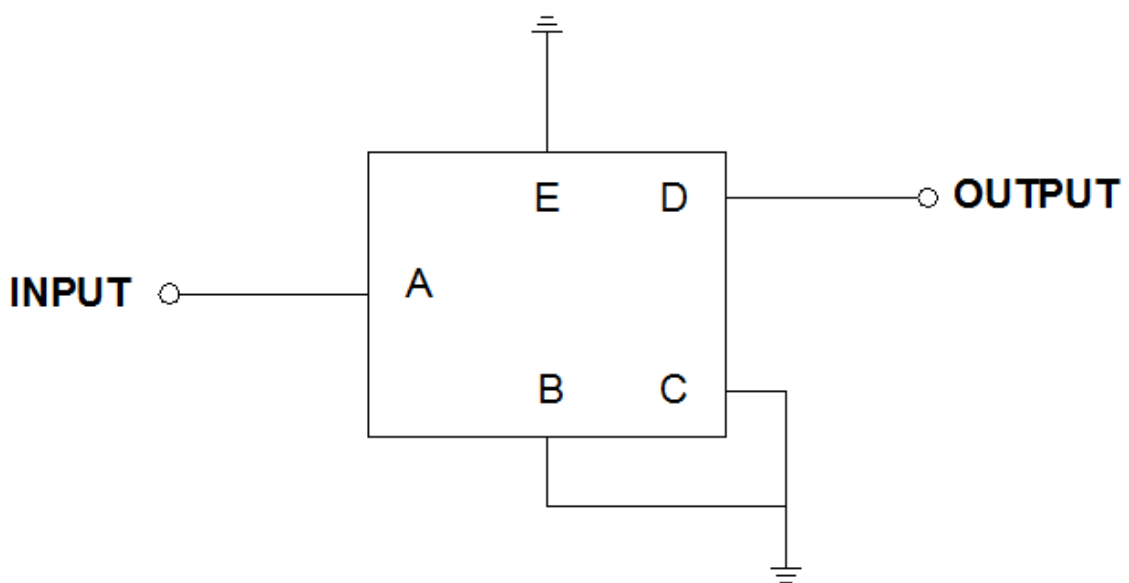
**Package Dimensions**



Marking Descriptions	
<u>n</u>	Series Number
X	Date Code(Year+Month)

Pin Description	
B, C, E	Ground
A	Input
D	Output

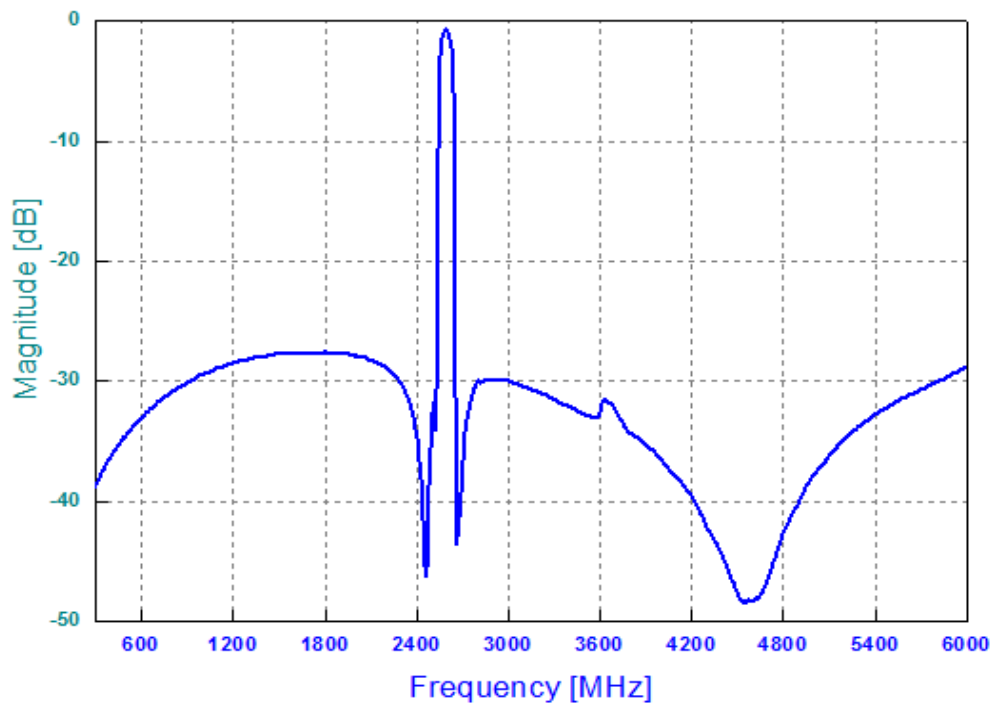
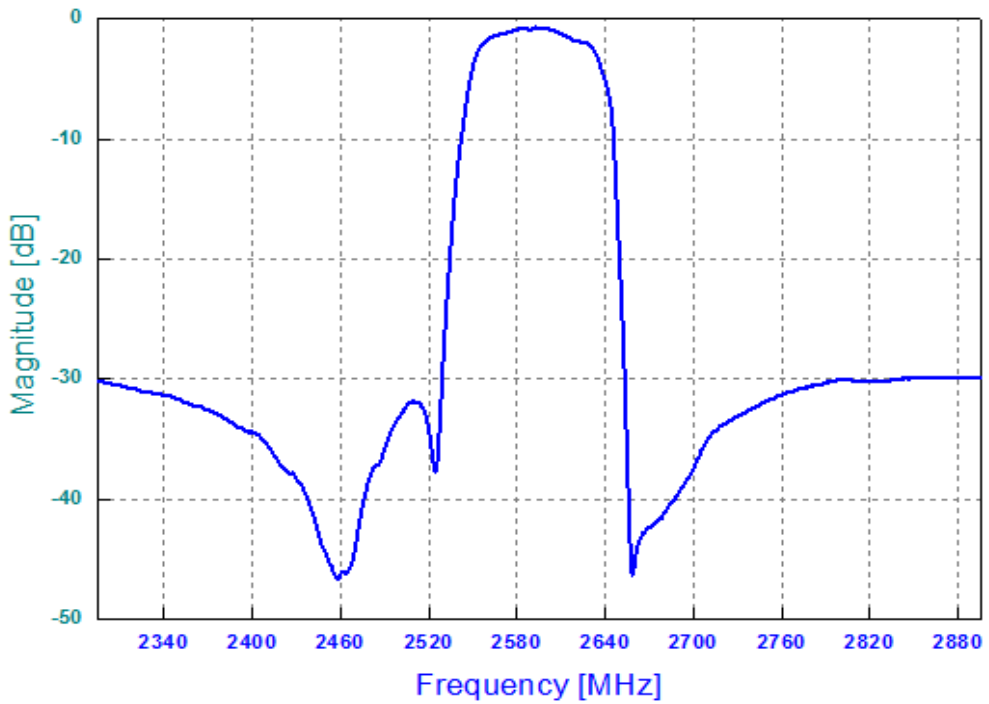
**Testing Environment**



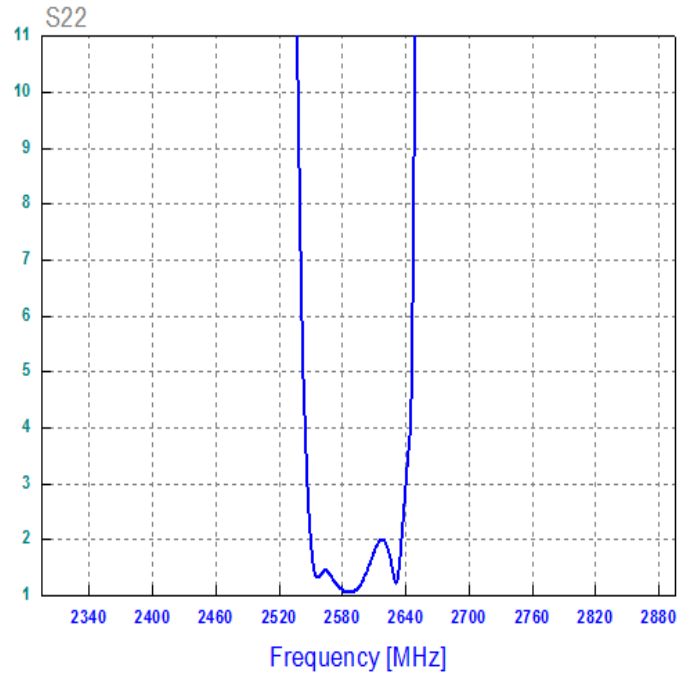
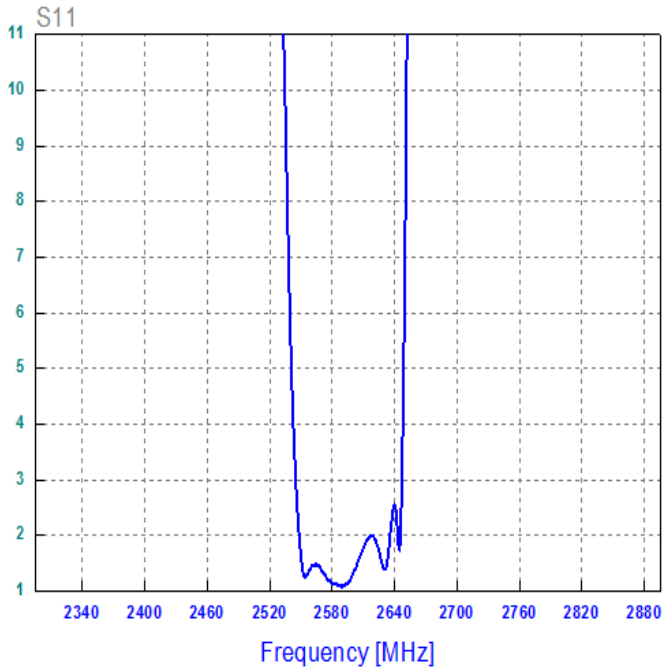
Source & Load Impedance: 50 Ω

**□ Frequency Characteristics**

Frequency Response



### VSWR



### Smith Chart

