



Total Solution Provider in Saw Device

SR433CC

Remote Control, 1-Port SAW Resonator
Revision 0: March 2005



- Electrical Characteristics
 - Package Dimensions
 - Testing Environment
 - Frequency Characteristics
-

SAWNICS Inc.

460 Cheonheung-ri, Seonggeo-eup, Cheonan-si, Chungcheongnam-do, 330-836 / Korea.
Tel: +82 41 550 9372 / Fax: +82 41 550 9399 / www.sawnics.com

□ Electrical Characteristics

Maximum Ratings

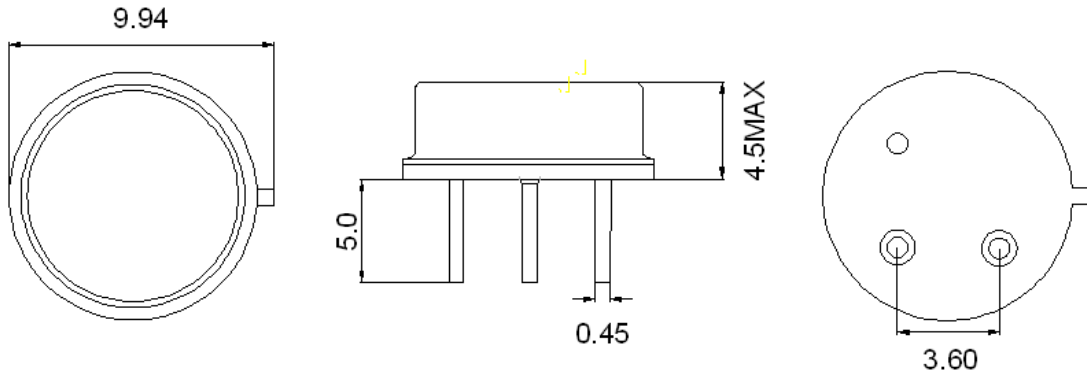
Parameters Description	Unit	Minimum	Typical	Maximum
Operating Temperature Range	°C	-40	-	+85
Storage Temperature Range	°C	-40	-	+85
Maximum DC Voltage	V	-	-	10
Maximum Input Power	dBm	-	-	0
Source Impedance (single ended) ⁽¹⁾	Ω	-	50	-
Load Impedance (single ended) ⁽¹⁾	Ω	-	50	-
Package type	C			

Electrical Specification

Parameters Description	Unit	Minimum	Typical	Maximum
Center Frequency (Fr)	MHz	433.845	433.92	433.995
Insertion Loss	dB	-	1.3	2.5
Equivalent Elements				
Motional Capacitance (Cm)	fF	-	1.56	-
Motional Inductance (Lm)	μH	-	86	-
Motional Resistance (Rm)	Ω	-	18	-
Parallel Capacitance (Co)	pF	-	2.0	-
Temp. coeff.	ppm/c*2	-	0.032	-

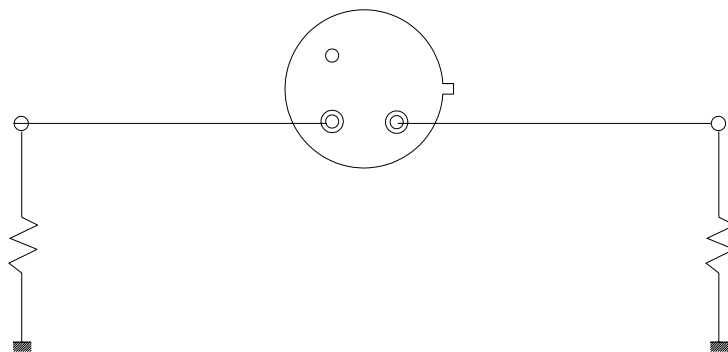
Notes : (1) No Matching Network

Package Dimensions



Pin Description	
3	Ground
1	In
2	Out

Testing Environment



Source & Load Impedance: 50 Ω

□ Frequency Characteristics

Frequency Response

